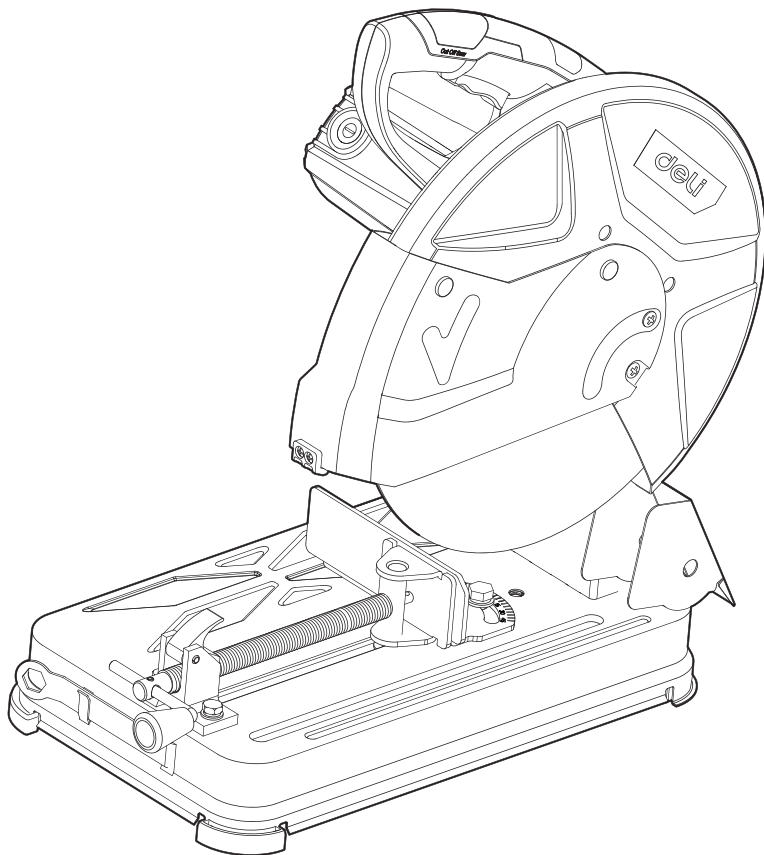


deli

DE-XQ355-2E



EN Cut off saw
DE Profilschneidemaschine
FR Découpeur de profilé
ES Sierra de corte

PT Serra de corte
RU Монтажная пила
AR آلة قطع

Cut off saw

Article number	DE-XQ355-2E
Rated input power	2400W
Rated voltage	220-240V~
Frequency	50/60Hz
No-load speed	4000/min
Rotating angle	±45°
Machine weight	15.5kg

Accessories

- Wrench
- Carbon brush
- Cutting disc






Please observe the article number on the type plate of your machine. The trade names of the individual machines may vary.

Dimensions of suitable cutting discs

Cutting disc diameter	355mm(14")
Cutting disc thickness	3.5mm(1/8")
Mounting hole diameter	25.4mm(1")

Original Instructions

The symbols in instruction manual and the label on the tool

	Read the instruction manual before using.
	Wear safety glasses, hearing protection and dust mask.
	Waste electrical products should not be disposed of with household waste. Please recycle where facilities exist. Check with your Local Authority or retailer for recycling advice.
	Safety alert. Please only use the accessories supported by the manufacturer.
	Wear protective gloves. The cutting blades are very sharp and can become very hot during operation.

General Power Tool Safety Warnings

WARNING

Read all safety warnings, instructions, illustrations and specifications provided with this power tool. Failure to follow all instructions listed below may result in electric shock, fire and/or serious injury. **Save all warnings and instructions for future reference.**

The term "power tool" in the warnings refers to your mains-operated (corded) power tool or battery-operated (cordless) power tool.

Work area safety

1. **Keep work area clean and well lit.** Cluttered or dark areas invite accidents.
2. **Do not operate power tools in explosive atmospheres, such as in the presence of flammable liquids, gases or dust.** Power tools create sparks which may ignite the dust or fumes.
3. **Keep children and bystanders away while operating a power tool.** Distractions can cause you to lose control

Electrical safety

1. **Power tool plugs must match the outlet. Never modify the plug in any way. Do not use any adapter plugs with earthed (grounded) power tools.** Unmodified plugs and matching outlets will reduce risk of electric shock.
2. **Avoid body contact with earthed or grounded surfaces, such as pipes, radiators, ranges and refrigerators.** There is an increased risk of electric shock if your body is earthed or grounded.
3. **Do not expose power tools to rain or wet conditions.** Water entering a power tool will increase the risk of electric shock.
4. **Do not abuse the cord. Never use the cord for carrying, pulling or unplugging the power tool. Keep cord away from heat, oil, sharp edges or moving parts.** Damaged or entangled cords increase the risk of electric shock.
5. **When operating a power tool outdoors, use an extension cord suitable for outdoor use.** Use of a cord suitable for outdoor use reduces the risk of electric shock.

6. **If operating a power tool in a damp location is unavoidable, use a residual current device (RCD) protected supply.** Use of an RCD reduces the risk of electric shock.

Personal safety

1. **Stay alert, watch what you are doing and use common sense when operating a power tool. Do not use a power tool while you are tired or under the influence of drugs, alcohol or medication.** A moment of inattention while operating power tools may result in serious personal injury.
2. **Use personal protective equipment. Always wear eye protection.** Protective equipment such as a dust mask, non-skid safety shoes, hard hat or hearing protection used for appropriate conditions will reduce personal injuries.
3. **Prevent unintentional starting. Ensure the switch is in the off- position before connecting to power source and/or battery pack, picking up or carrying the tool.** Carrying power tools with your finger on the switch or energising power tools that have the switch on invites accidents.
4. **Remove any adjusting key or wrench before turning the power tool on.** A wrench or a key left attached to a rotating part of the power tool may result in personal injury.
5. **Do not overreach. Keep proper footing and balance at all times.** This enables better control of the power tool in unexpected situations.
6. **Dress properly. Do not wear loose clothing or jewellery. Keep your hair and clothing away from moving parts.** Loose clothes, jewellery or long hair can be caught in moving parts.
7. **If devices are provided for the connection of dust extraction and collection facilities, ensure these are connected and properly used.** Use of dust collection can reduce dust-related hazards.
8. **Do not let familiarity gained from frequent use of tools allow you to become complacent and ignore tool safety principles.** A careless action can cause severe injury within a fraction of a second.

Power tool use and care

1. **Do not force the power tool. Use the correct power tool for your application.** The correct power tool will do the job better and safer at the rate for which it was designed.
2. **Do not use the power tool if the switch does not turn it on and off.** Any power tool that cannot be controlled with the switch is dangerous and must be repaired.
3. **Disconnect the plug from the power source and/or remove the battery pack, if detachable, from the power tool before making any adjustments, changing accessories, or storing power tools.** Such preventive safety measures reduce the risk of starting the power tool accidentally.
4. **Store idle power tools out of the reach of children and do not allow persons unfamiliar with the power tool or these instructions to operate the power tool.** Power tools are dangerous in the hands of untrained users.
5. **Maintain power tools and accessories. Check for misalignment or binding of moving parts, breakage of parts and any other condition that may affect the power tool's operation. If damaged, have the power tool repaired before use.** Many accidents are caused by poorly maintained power tools.
6. **Keep cutting tools sharp and clean.** Properly maintained cutting tools with sharp cutting edges are less likely to bind and are easier to control.
7. **Use the power tool, accessories and tool bits etc. in accordance with these instructions, taking into account the working conditions and the work to be performed.** Use of the power tool for operations different from those intended could result in a hazardous situation.
8. **Keep handles and grasping surfaces dry, clean and free from oil and grease.** Slippery handles and grasping surfaces do not allow for safe handling and control of the tool in unexpected situations.

Service

1. **Have your power tool serviced by a qualified repair person using only identical replacement parts.** This will ensure that the safety of the power tool is maintained.

Additional Safety Warnings Safety instructions for cut-off machines

Cut-off machine safety warnings

1. **Position yourself and bystanders away from the plane of the rotating wheel.**
The guard helps to protect the operator from broken wheel fragments and accidental contact with wheel.
2. **Use only bonded reinforced or diamond cut-off wheels for your power tool.** Just because an accessory can be attached to your power tool, it does not assure safe operation.
3. **The rated speed of the accessory must be at least equal to the maximum speed marked on the power tool.**
Accessories running faster than their rated speed can break and fly apart.
4. **Wheels must be used only for recommended applications.**
Forexample: do not grind with the side of a cut-off wheel. Abrasive cut-off wheels are intended for peripheral grinding, side forces applied to these wheels may cause them to shatter.
5. **Always use undamaged wheel flanges that are of correct diameter for your selected wheel.** Proper wheel flanges support the wheel thus reducing the possibility of wheel breakage.
6. **The outside diameter and the thickness of your accessory must be within the capacity rating of your power tool.** Incorrectly sized accessories cannot be adequately guarded or controlled.
7. **The arbour size of wheels and flanges must properly fit the spindle of the power tool.** Wheels and flanges with arbour holes that do not match the mounting hardware of the power tool will run out of balance, vibrate excessively and may cause loss of control.
8. **Do not use damaged wheels. Before each use, inspect the wheels for chips and cracks. If the power tool or wheel is dropped, inspect for damage or install an undamaged wheel. After inspecting and installing the wheel, position yourself and bystanders away from the plane of the rotating wheel and run the power tool at maximum no load speed for one minute.** Damaged wheels will normally break apart during this test time.

9. **Wear personal protective equipment. Depending on application, use face shield, safety goggles or safety glasses. As appropriate, wear dust mask, hearing protectors, gloves and shop apron capable of stopping small abrasive or workpiece fragments.** The eye protection must be capable of stopping flying debris generated by various operations. The dust mask or respirator must be capable of filtering particles generated by your operation. Prolonged exposure to high intensity noise may cause hearing loss.
10. **Keep bystanders a safe distance away from work area. Anyone entering the work area must wear personal protective equipment.** Fragments of workpiece or of a broken wheel may fly away and cause injury beyond immediate area of operation.
11. **Position the cord clear of the spinning accessory.** If you lose control, the cord may be cut or snagged and your hand or arm may be pulled into the spinning wheel.
12. **Regularly clean the power tool's air vents.** The motor's fan can draw the dust inside the housing and excessive accumulation of powdered metal may cause electrical hazards.
13. **Do not operate the power tool near flammable materials. Do not operate the power tool while placed on a combustible surface such as wood.** Sparks could ignite these materials.
14. **Do not use accessories that require liquid coolants.** Using water or other liquid coolants may result in electrocution or shock.

Kickback and related warnings

Kickback is a sudden reaction to a pinched or snagged rotating wheel. Pinching or snagging causes rapid stalling of the rotating wheel which in turn causes the uncontrolled **cutting unit** to be forced upwards toward the operator.

For example, if an abrasive wheel is snagged or pinched by the workpiece, the edge of the wheel that is entering into the pinch point can dig into the surface of the material causing the wheel to climb out or kick out. Abrasive wheels may also break under these conditions. Kickback is the result of power tool misuse and/or incorrect operating procedures or conditions and can be avoided by taking proper precautions as given below.

1. **Maintain a firm grip on the power tool and position your body and arm to**

allow you to resist kickback forces.

The operator can control upward kickback forces, if proper precautions are taken.

2. **Do not position your body in line with the rotating wheel.** If kickback occurs, it will propel the cutting unit upwards toward the operator.
3. **Do not attach a saw chain, woodcarving blade, segmented diamond wheel with a peripheral gap greater than 10 mm or toothed saw blade.** Such blades create frequent kickback and loss of control.
4. **Do not "jam" the wheel or apply excessive pressure. Do not attempt to make an excessive depth of cut.** Overstressing the wheel increases the loading and susceptibility to twisting or binding of the wheel in the cut and the possibility of kickback or wheel breakage.
5. **When the wheel is binding or when interrupting a cut for any reason, switch off the power tool and hold the cutting unit motionless until the wheel comes to a complete stop. Never attempt to remove the wheel from the cut while the wheel is in motion otherwise kickback may occur.** Investigate and take corrective action to eliminate the cause of wheel binding.
6. **Do not restart the cutting operation in the workpiece. Let the wheel reach full speed and carefully re-enter the cut.** The wheel may bind, walk up or kickback if the power tool is restarted in the workpiece.
7. **Support any oversized workpiece to minimize the risk of wheel pinching and kickback.** Large workpieces tend to sag under their own weight. Supports must be placed under the workpiece near the line of cut and near the edge of the workpiece on both sides of the wheel.

Residual risks

Even when the power tool is used as prescribed it is not possible to eliminate all residual risk factors. The following hazards may arise in connection with the power tool's construction and design:

1. Health defects resulting from vibration emission if the power tool is being used over longer period of time or not adequately managed and properly maintained.
2. Injuries and damage to property due to broken accessories that are suddenly dashed.

Warning

This power tool produces an electromagnetic field during operation. This field may under some circumstances interfere with active or passive medical implants. To reduce the risk of serious or fatal injury, we recommend persons with medical implants to consult their physician and the medical implant manufacturer before operating this power tool.

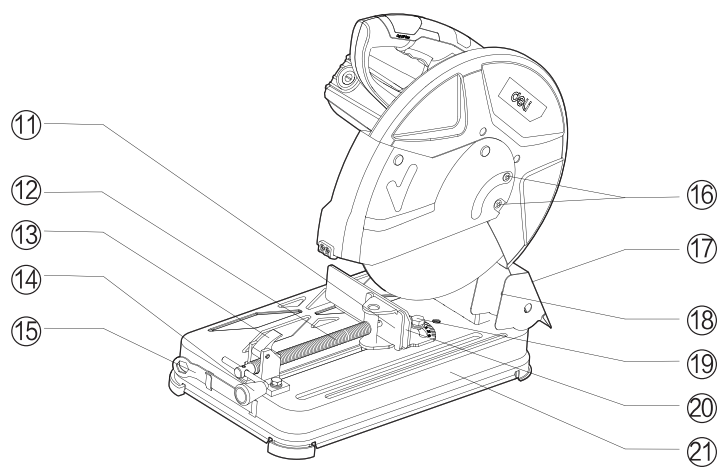
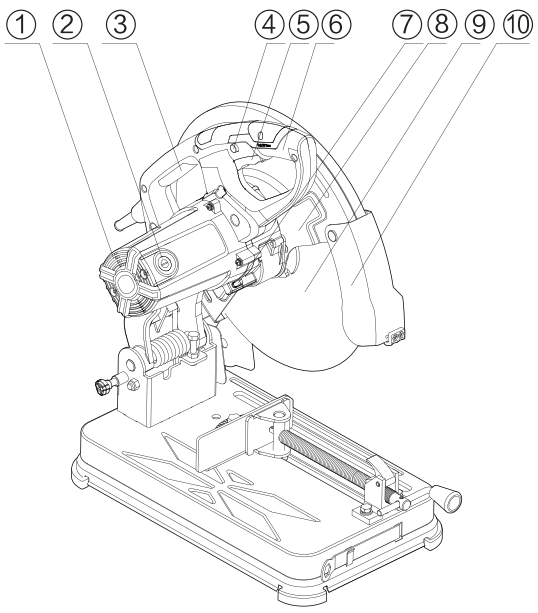
Intended Use

The machine is intended for stationary use with cutting discs to perform lengthways and crossways straight cuts or mitre cuts to 45° in metal materials without the use of water.

Product Features

The numbering of the components shown refers to the representation of the power tool on the graphic pages.

1. Air vent
2. Carbon brush cover
3. Handle
4. Lock knob for switch shaft
5. Switch trigger
6. Handle
7. Lock knob for shaft
8. Fixed protective cover
9. Grinding disc
10. Movable protective cover
11. Workpiece clamping plate
12. Screw rod
13. Clamping nut
14. Screw rod handle
15. Wrench
16. Screw
17. Chip guard
18. Adjustment screw
19. Bolt
20. Adjustable stop block
21. Base
22. Head limit button
23. Carbon brush



Avoid unintentional starting of the machine. During assembly and for all work on the machine, the power plug must not be connected to the mains supply.

1 Delivery Scope

Carefully remove all parts included in the delivery from their packaging.

Remove all packaging material from the machine and the accessories provided.

Before starting the operation of the machine for the first time, check if all parts listed below have been supplied:

- Cut-off grinder with mounted cutting disc
- Ring spanner 15

Note: Check the power tool for possible damage.

Before further use of the machine, check that all protective devices are fully functional. Any lightly damaged parts must be carefully checked to ensure flawless operation of the tool. All parts must be properly mounted and all conditions fulfilled that ensure faultless operation.

Damaged protective devices and parts must be immediately replaced by an authorised service centre.

2 Flexible Mounting

In the exceptional case that it should not be possible to firmly benchmount the power tool, you can provisionally place the legs of base plate 10 on a suitable surface (e. g. a workbench, level floor, etc.) without bolting the machine down.

3 Dust/Chip Extraction

Dusts from materials such as lead-containing coatings, some wood types, minerals and metal can be harmful to one's health. Touching or breathing-in the dusts can cause allergic reactions and/or lead to respiratory infections of the user or bystanders.

Certain dusts, such as oak or beech dust, are considered as carcinogenic, especially in connection with wood-treatment additives (chromate, wood preservative). Materials containing asbestos may only be worked by specialists.

- Use dust extraction whenever possible.
- Provide for good ventilation of the working place.
- It is recommended to wear a P2 filter-class respirator.

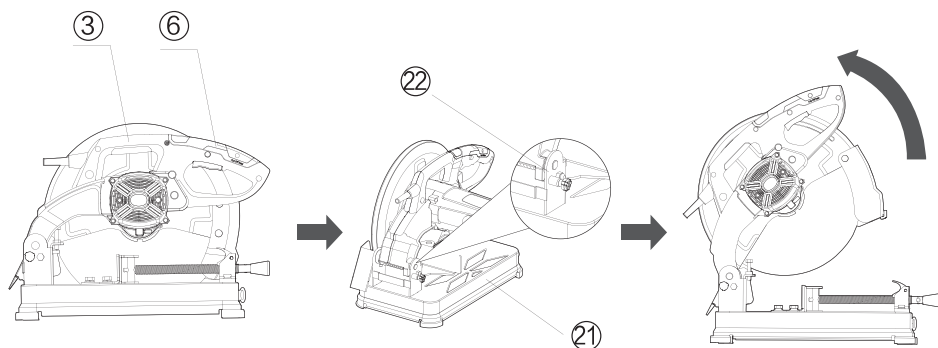
Observe the relevant regulations in your country for the materials to be worked.

4 Operation instructions, accessory installation instructions

⚠ Note: Read the instruction manual before operation. Always unplug the cable from the outlet when servicing power tools and accessories.

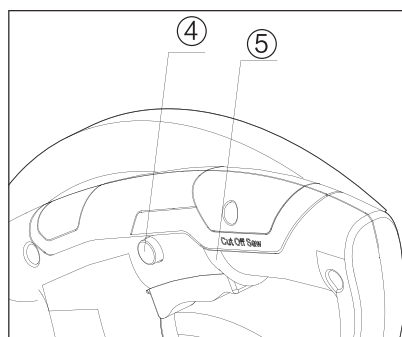
Operation of the head limit

When it is necessary to fix the tool, press the operating handle downward and insert the head limit knob into the limit hole to fix the tool. When it is necessary to use the tool, pull the machine head limit button outward, lift the tool head to reset it, and then it is ready for use.



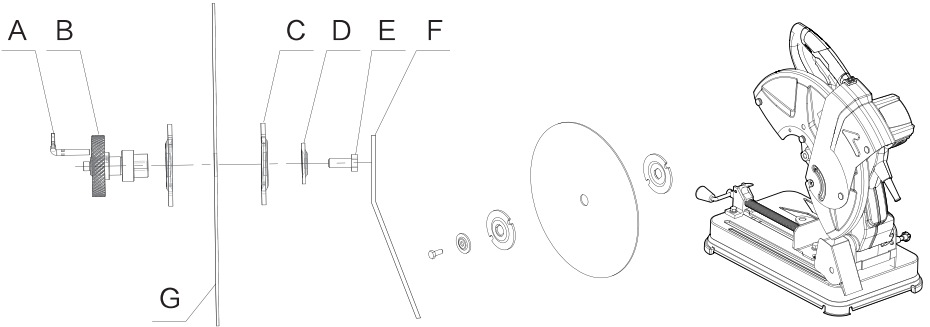
Switch operation

To start this tool, simply pull the switch trigger. Release the on/off trigger to stop the tool from rotating. To make the machine rotate continuously, open the on/off trigger and depress the on/off locking knob, then pull the on/off trigger and release it again to eliminate continuous rotation.



Method of disassembling and assembling the grinding wheel

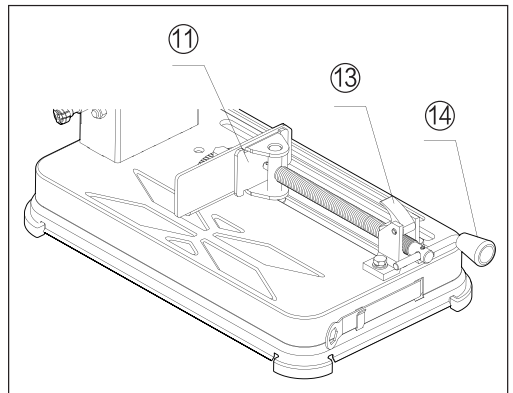
- Disassemble the grinding disc After pushing the shaft lock knob A with the left hand into the hole of the inner platen B as specified, loosen the bolt E with the wrench F to remove the grinding disc G.
- Installing grinding wheel. After removing dust from the outer pressing plate C, gasket D and bolt E, install the grinding wheel G. Then install the outer pressing plate C, gasket D, and bolt E in sequence. Finally, grip the grinding wheel G with your hand and lock the bolt E with a wrench F. You must verify that stop pin A is restored to its initial position after installation.



Method of fixing workpieces

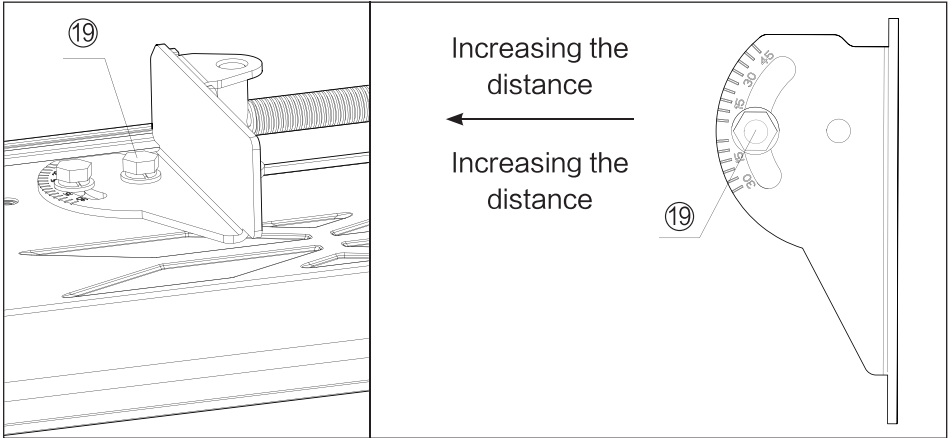
Loosen the workpiece: Turn the screw handle counterclockwise to loosen the threads, then push the clamping nut towards the screw handle and quickly pull back the screw to remove the workpiece.

Clamping workpiece: push the screw forward to the workpiece pressure plate against the clamped workpiece, then push the clamping nut forward so that it does not contact with the screw threads, and finally turn the screw handle clockwise to fix the workpiece.



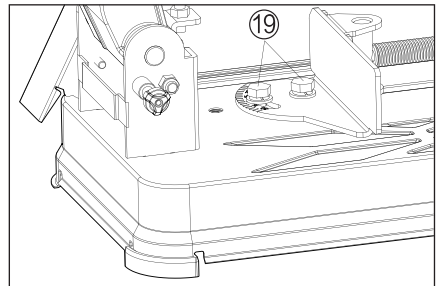
Note: Adjust the space or spacing as shown in the left figure if the processing workpiece requires more room (see the left figure).

- Remove the two bolts securing the workpiece support plate and reposition it as shown in the figure on the right.
- Then reinstall the bolt to secure it.



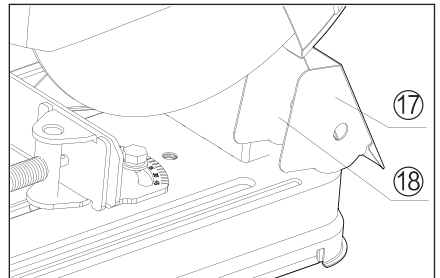
Method for setting cutting angle

To change the cutting angle, loosen the two bolts that fix the workpiece support plate, rotate the workpiece support plate to the desired angle, and then tighten the bolts.



Adjustment method of chip guard

The tool holder is equipped with a chip guard. The angle of the cover can be adjusted by loosening the screws as required to prevent sparks from flying around.



5 Maintenance, servicing and after-sales contacts

Repair and maintenance

Replacement period for grinding wheels

The wear and tear of grinding wheels can impact work efficiency. Replace them promptly with new ones. Before use, please carefully inspect the grinding wheel for cracks and deformations. Replace any damaged ones promptly.

Inspect the screws connecting various parts.

The various parts should undergo regular inspections to detect any loose screws. If any looseness is found, it should be promptly tightened. Using screws in a loose state can easily lead to danger.

Storage after operation

After use, unplug the power plug and store in a place not accessible to children.

Dedusting

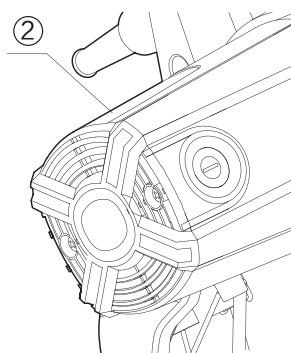
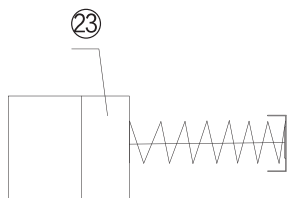
The machine should be cleaned after use to prevent dirt from entering the motor and causing damage.

Check and replace carbon brushes regularly.

After prolonged use, the carbon brushes will shorten. Replace them when they reach a length of about 5 to 6 mm to prevent damage to the machine.

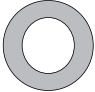
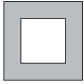

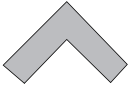
Replacement procedure for carbon brushes:

- Regularly inspect and replace worn carbon brushes, keeping them clean and slide freely inside the brush holder. Replace both at once with original accessories.
- Use a cross screwdriver to remove the rear cover of the machine and remove the worn out carbon brushes, and then press back the disc spring before covering it again.



Permissible Workpiece Dimensions

Maximal workpiece sizes:

Mitre/Bevel Angle		
Workpiece Form	0°	45°
	Ø100 (4")	Ø100 (3-1/8")
	100x100mm (4" x 4")	75x75mm (3" x 3")
	160x100mm (6-1/4" x 4")	80x75mm (3-1/8" x 3")
	120x100mm (4-3/4" x 4")	75x75mm (3" x 3")

Minimal workpiece sizes

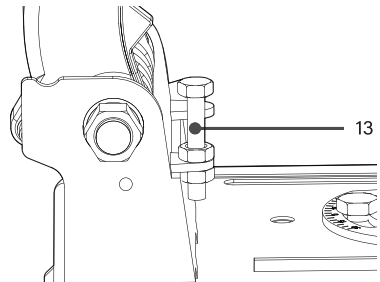
(= all workpieces that can be clamped via the clamping spindle 7): Length 80 mm

Adjusting the Depth Stop

In the delivery condition of the machine, the depth stop 13 is adjusted in such a manner that a new 355 mm cutting disc does not touch the base plate when cutting.

To compensate the wear of the cutting disc, the depth stop can be set deeper.

When using a new cutting disc, the depth stop must then always be set back to the original position.



Always adjust the depth stop in such a manner that the cutting disc does not touch the base plate when cutting.

- Bring the power tool into the working position. (see "Releasing the Machine (Working Position)")
 - Loosen lock nut 22.
 - Swing the tool arm with the handle 2 to the requested position.
 - Screw the depth stop 13.
 - Slowly guide the tool arm upward and tighten the lock nut 22 .
- Transport

- Always carry the power tool by its transport handle 15 .

The power tool should always be carried by two persons in order to avoid back injuries. When transporting the power tool, use only the transport devices and never use the protective devices.

1 Maintenance and Cleaning

Before any work on the machine itself, pull the mains plug.

For safe and proper working, always keep the machine and ventilation slots clean.

In extreme conditions, always use dust extraction as far as possible. Blow out ventilation slots frequently and install a residual current device (RCD). When working metals, conductive dust can settle in the interior of the power tool. The total insulation of the power tool can be impaired.

Have maintenance and repair work performed only by qualified specialists. In this manner, it can be ensured that the safety of the power tool is maintained.

The retracting blade guard must always be able to move freely and retract automatically. Therefore, always keep the area around the retracting blade guard clean.

2 Accessories

Cutting disc (355mm 14") Wrench

Carbon brushes

3 After-sales Service and Customer Assistance

Our after-sales service responds to your questions concerning maintenance and repair of your product as well as spare parts.

Our customer service representatives can answer your questions concerning possible applications and adjustment of products and accesso

Product Warranty Card

Dear users :

Thank you for buying our products. In order to ensure your profit, users who buy our products can contact local distributor or Specified repair stations with invoice and warranty cards if the product failures due to quality problems.

Warranty Notice:

1. From _____ (Year/Month/Day) to _____ (Year/Month/Day), If the failure happen in normal use, our company will provide free warranty, parts replacement and other services according to the failure situation.
2. This warranty card and purchase invoice are the voucher of after-sales service provided by our company to customers. The card must be detailed only after filling in the following form and affixing the official seal with the distributor.
3. In one of the following cases, free warranty service will be invalid, and maintenance fees will be required:
 - (1) Exceed the expiration date.
 - (2) Failure or damage caused by not following the requirements of the product manual, maintenance or improper storage.
 - (3) Failure or damage caused by disassembling, repairing or modification of the product without the permission of our company.
 - (4) Machine breakdown or damage caused by force majeure.
 - (5) Consumable accessories.

This card is issued with the product. One card for one machine, to ensure that you can fully enjoy the right to free warranty service provided by the company, please keep this card properly, lost will not be replaced.

Purchase Date: _____ (Year/Month/Day)

Product Certificate

Inspector:

01

Date of manufacture:

NINGBO DELI TOOLS CO., LTD.
No. 128 Chezhan West Road, Huangtan Town,
Ninghai County, Ningbo, Zhejiang, China
delitoolsglobal@nbdeli.com
www.delitoolsglobal.com
+86 574 87562689
MADE IN CHINA



Trennschleifer

Article number	DE-XQ355-2E
Eingangsnennleistung	2400W
Nennspannung	220-230V~
Frequenz	50/60Hz
Leerlaufdrehzahl	4000/min
Drehwinkel	±45°
Gewicht	15.5kg

Zubehör

- Schraubenschlüssel
- Kohlebürste
- Trennscheibe






Bitte beachten Sie die Artikelnummer auf dem Typenschild Ihrer Maschine. Die Handelsnamen der einzelnen Maschinen können abweichen.

Abmessungen der geeigneten Trennscheiben

Durchmesser Trennscheibe	355mm(14")
Dicke der Trennscheibe	3.5mm(1/8")
Durchmesser der Montagebohrung	25.4mm(1")

Original-Bedienungsanleitung

Die Symbole in der Bedienungsanleitung und das Etikett auf dem Werkzeug

	Lesen Sie vor der Benutzung die Bedienungsanleitung.
	Tragen Sie eine Schutzbrille, einen Gehörschutz und eine Staubmaske.
	Elektrogeräte dürfen nicht mit dem Hausmüll entsorgt werden. Bitte recyceln Sie diese, sofern entsprechende Einrichtungen vorhanden sind. Erkundigen Sie sich bei Ihrer Kommunalbehörde oder Ihrem Einzelhändler nach Empfehlungen zum Recycling.
	Sicherheitshinweis. Bitte verwenden Sie nur das vom Hersteller vorgesehene Zubehör.
	Tragen Sie Schutzhandschuhe. Die Schneidmesser sind sehr scharf und können während des Betriebs sehr heiß werden.

ALLGEMEINE SICHERHEITSHINWEISE FÜR ELEKTROWERKZEUGE

! **ACHTUNG** Lesen Sie alle Sicherheitshinweise, Anweisungen, Abbildungen und Spezifikationen, die diesem Elektrowerkzeug beiliegen.

Die Nichtbeachtung aller unten aufgeführten Anweisungen kann zu einem Stromschlag, Brand bzw. schweren Verletzungen führen.

Bewahren Sie alle Warnhinweise und Anweisungen zum späteren Gebrauch auf.

Der Begriff „Elektrowerkzeug“ in den Warnhinweisen bezieht sich auf Ihr netzbetriebenes (schnurgebundenes) Elektrowerkzeug oder akkubetriebenes (schnurloses) Elektrowerkzeug.

Sicherheit im Arbeitsbereich

1. **Halten Sie den Arbeitsbereich sauber und gut beleuchtet.** Unaufgeräumte oder dunkle Bereiche laden zu Unfällen ein.
2. **Betreiben Sie Elektrowerkzeuge nicht in explosionsgefährdeten Bereichen, wie z. B. bei Vorhandensein von brennbaren Flüssigkeiten, Gasen oder Staub.** Elektrowerkzeuge erzeugen Funken, die Staub oder Dämpfe entzünden können.
3. **Halten Sie Kinder und umstehende Personen fern, während Sie ein Elektrowerkzeug bedienen.**

Ablenkungen können dazu führen, dass Sie die Kontrolle verlieren.

Elektrische Sicherheit

1. **Die Stecker von Elektrowerkzeugen müssen zur Steckdose passen. Verändern Sie niemals den Stecker in irgendeiner Weise. Verwenden Sie keine Adapterstecker mit geerdeten Elektrowerkzeugen.** Unveränderte Stecker und passende Steckdosen verringern das Risiko eines Stromschlags.
2. **Vermeiden Sie Körperkontakt mit geerdeten Oberflächen wie z. B. Rohren, Heizkörpern, Herden und Kühlschränken.** Es besteht ein erhöhtes Risiko eines Stromschlags, wenn Ihr Körper geerdet ist.
3. **Setzen Sie Elektrowerkzeuge nicht Regen oder Nässe aus.** Wenn Wasser in ein Elektrowerkzeug eindringt, erhöht sich die

Gefahr eines Stromschlags.

4. **Verwenden Sie das Kabel nicht missbräuchlich. Benutzen Sie das Kabel niemals zum Tragen, Ziehen oder Ausstecken des Elektrowerkzeugs. Halten Sie das Netzkabel von Hitze, Flüssigkeiten, scharfen Kanten und beweglichen Teilen fern.** Beschädigte oder verwickelte Kabel erhöhen das Risiko eines Stromschlags.
5. **Wenn Sie ein Elektrowerkzeug im Freien betreiben, verwenden Sie ein Verlängerungskabel welches für den Außenbereich geeignet ist.** Die Verwendung eines für den Außenbereich geeigneten Kabels verringert die Gefahr eines Stromschlags.
6. **Falls der Betrieb eines Elektrowerkzeugs in einer feuchten Umgebung unvermeidlich ist, verwenden Sie eine durch einen Fehlerstromschutzschalter (FI) geschützte Stromversorgung.** Die Verwendung eines FI-Schutzschalters verringert die Gefahr eines Stromschlags.

Persönliche Sicherheit

1. **Seien Sie wachsam, achten Sie darauf, was Sie tun, und nutzen Sie Ihren gesunden Menschenverstand, wenn Sie ein Elektrowerkzeug bedienen. Verwenden Sie ein Elektrowerkzeug nicht, wenn Sie müde sind oder unter dem Einfluss von Drogen, Alkohol oder Medikamenten stehen.** Ein Moment der Unachtsamkeit bei der Bedienung von Elektrowerkzeugen kann zu schweren Verletzungen führen.
2. **Verwenden Sie persönliche Schutzausrüstung. Tragen Sie immer Augenschutz.** Schutzausrüstungen wie Staubmaske, rutschfeste Sicherheitsschuhe, Schutzhelm oder Gehörschutz, die unter geeigneten Bedingungen verwendet werden, verringern das Risiko von Personenschäden.
3. **Verhindern Sie unbeabsichtigtes Starten. Stellen Sie sicher, dass der Schalter in der Aus-Stellung ist, bevor Sie das Gerät an die Stromquelle bzw. den Akkupack anschließen, es in die Hand nehmen oder tragen.** Das Tragen von Elektrowerkzeugen mit einem Finger auf dem Schalter oder das Einschalten von Elektrowerkzeugen, bei denen der Schalter eingeschaltet ist, erhöht die Unfallgefahr.
4. **Ziehen Sie vor dem Einschalten des Elektrowerkzeugs alle Einstellschlüssel oder**

Schraubenschlüssel ab. Ein Schraubenschlüssel oder ein Schlüssel, der an einem rotierenden Teil des Elektrowerkzeugs verbleibt, kann zu Verletzungen führen.

- Greifen Sie nicht zu weit. Halten Sie stets einen sicheren Stand und das Gleichgewicht.**
Dies ermöglicht eine bessere Kontrolle des Elektrowerkzeugs in unerwarteten Situationen.
- Ziehen Sie sich entsprechend passend an. Tragen Sie keine weite Kleidung und keinen Schmuck. Halten Sie Ihr Haar und Ihre Kleidung von beweglichen Teilen fern.** Lockere Kleidung, Schmuck oder lange Haare können sich in beweglichen Teilen verfangen.
- Wenn Vorrichtungen zum Anschluss von Staubabsaugungen und -auffangvorrichtungen vorhanden sind, stellen Sie sicher, dass diese angeschlossen sind und ordnungsgemäß verwendet werden.** Die Verwendung einer Staubabsaugung kann die staubbedingten Gefahren verringern.
- Achten Sie darauf, dass die durch häufigen Gebrauch von Werkzeugen gewonnene Routine Sie nicht dazu verleitet, selbstgefällig zu werden und die Grundsätze der Werkzeugsicherheit zu ignorieren.** Eine unvorsichtige Handlung kann im Bruchteil einer Sekunde zu schweren Verletzungen führen.

Verwendung und Pflege von Elektrowerkzeugen

- Setzen Sie das Elektrowerkzeug nicht mit Gewalt ein. Verwenden Sie das richtige Elektrowerkzeug für Ihre Anwendung.** Das richtige Elektrowerkzeug erledigt die Arbeit besser und sicherer mit der Drehzahl, für die es ausgelegt ist.
- Verwenden Sie das Elektrowerkzeug nicht, wenn es sich nicht mit dem Schalter ein- und ausschalten lässt.** Jedes Elektrowerkzeug, das sich nicht mit dem Schalter steuern lässt, ist gefährlich und muss repariert werden.
- Trennen Sie den Stecker von der Stromquelle bzw. entfernen Sie den Akkupack, falls abnehmbar, vom Elektrowerkzeug, bevor Sie Einstellungen vornehmen, Zubehörteile wechseln oder Elektrowerkzeuge lagern.** Solche vorbeugenden Sicherheitsmaßnahmen verringern das Risiko eines unbeabsichtigten Starts des Elektrowerkzeugs.

- Bewahren Sie ungenutzte Elektrowerkzeuge außerhalb der Reichweite von Kindern auf und erlauben Sie Personen, die mit dem Elektrowerkzeug oder dieser Anleitung nicht vertraut sind, nicht, das Elektrowerkzeug zu bedienen.** Elektrowerkzeuge sind in den Händen ungeschulter Benutzer gefährlich.
- Pflegen Sie Elektrowerkzeuge und Zubehör. Prüfen Sie, ob bewegliche Teile falsch ausgerichtet sind oder klemmen, ob Teile gebrochen sind und ob andere Bedingungen vorliegen, die den Betrieb des Elektrowerkzeugs beeinträchtigen können. Lassen Sie das Elektrowerkzeug bei Beschädigung vor der Verwendung reparieren.** Viele Unfälle werden durch schlecht gewartete Elektrowerkzeuge verursacht.
- Halten Sie Schneidwerkzeuge scharf und sauber.** Ordnungsgemäß gewartete Schneidwerkzeuge mit scharfen Schneidkanten verklemmen sich seltener und sind leichter zu handhaben.
- Verwenden Sie das Elektrowerkzeug, das Zubehör, die Bits usw. gemäß dieser Anleitung und unter Berücksichtigung der Arbeitsbedingungen und der auszuführenden Arbeiten.** Die Verwendung des Elektrowerkzeugs für andere als die vorgesehenen Arbeiten kann zu gefährlichen Situationen führen.
- Halten Sie Griffe und Griffflächen trocken, sauber und frei von Öl und Fett.** Rutschige Griffe und Griffflächen ermöglichen keine sichere Handhabung und Kontrolle des Geräts in unerwarteten Situationen.

Wartung

- Lassen Sie Ihr Elektrowerkzeug von einem qualifizierten Servicetechniker warten, der nur identische Ersatzteile verwendet.** Dadurch wird sichergestellt, dass die Sicherheit des Elektrowerkzeugs erhalten bleibt.

Zusätzliche Sicherheitshinweise

Sicherheitshinweise für Trennschleifmaschinen

- Halten Sie sich und andere Personen von der Ebene der rotierenden**

- Scheibe fern.** Die Schutzvorrichtung schützt den Bediener vor zerbrochenen Scheiben und versehentlichem Kontakt mit der Scheibe.
2. **Verwenden Sie für Ihr Elektrowerkzeug nur gebundene, verstärkte oder Diamanttrennscheiben.** Die Tatsache, dass ein Zubehör an Ihr Elektrowerkzeug angeschlossen werden kann, garantiert noch keinen sicheren Betrieb.
 3. **Die Nenndrehzahl des Zubehörs muss mindestens so hoch sein wie die auf dem Elektrowerkzeug angegebene Höchstdrehzahl.** Zubehörteile, die schneller als ihre Nenndrehzahl laufen, können brechen und auseinanderfliegen.
 4. **Die Scheiben dürfen nur für empfohlene Anwendungen verwendet werden. Zum Beispiel: Schleifen Sie nicht mit der Seite der Trennscheibe.** Trennschleifscheiben sind für das Umfangsschleifen bestimmt; seitlich auf diese Scheiben einwirkende Kräfte können sie zersplittern lassen.
 5. **Verwenden Sie immer unbeschädigte Spurkränze, die den richtigen Durchmesser für die gewählte Scheibe haben.** Geeignete Spurkränze stützen die Scheibe und verringern so die Gefahr von Scheibenbrüchen.
 6. **Der Außendurchmesser und die Dicke des Zubehörs müssen mit der Nennleistung des Elektrowerkzeugs übereinstimmen.** Nicht korrekt angepasste Zubehörteile können nicht richtig abgesichert bzw. kontrolliert werden.
 7. **Die Aufnahmegröße der Scheiben und Spurkränze muss genau auf die Spindel des Elektrowerkzeugs passen.** Scheiben und Spurkränze mit Bohrungen, die nicht zu den Befestigungselementen des Elektrowerkzeugs passen, laufen aus dem Gleichgewicht, vibrieren übermäßig und können zum Kontrollverlust führen.
 8. **Verwenden Sie keine beschädigten Scheiben. Überprüfen Sie die Scheiben vor jedem Gebrauch auf Absplitterungen und Risse. Wenn das Elektrowerkzeug oder das Zubehör heruntergefallen ist, untersuchen Sie es auf Schäden oder installieren Sie ein unbeschädigtes Zubehör. Stellen Sie sich und Umstehende nach dem Überprüfen und Installieren der Scheibe von der Ebene der rotierenden Scheibe weg und lassen Sie das Elektrowerkzeug eine Minute lang mit maximaler Leerlaufdrehzahl laufen.** Beschädigte Scheiben brechen während dieser Testzeit normalerweise auseinander.
 9. **Tragen Sie eine persönliche Schutzausrüstung. Verwenden Sie je nach Anwendung einen Gesichtsschutz, eine Schutzbrille oder einen Schutzhelm. Tragen Sie gegebenenfalls Staubmaske, Gehörschutz, Handschuhe und Arbeitsschürze, die kleine Schleifmittel- oder Werkstücksplitter auffangen können.** Der Augenschutz muss in der Lage sein, umherfliegende Teile, die bei verschiedenen Arbeiten entstehen, aufzuhalten. Die Staubmaske oder der Atemschutz müssen in der Lage sein, die bei Ihrer Arbeit entstehenden Partikel zu filtern. Längere Lärmbelastung mit hoher Intensität kann zu Gehörschäden führen.
 10. **Halten Sie andere Personen in einem sicheren Abstand zum Arbeitsbereich. Jeder, der den Arbeitsbereich betritt, muss eine persönliche Schutzausrüstung tragen.** Bruchstücke eines Werkstücks oder einer gebrochenen Scheibe können wegfiegen und Verletzungen außerhalb des unmittelbaren Arbeitsbereichs verursachen.
 11. **Legen Sie das Kabel nicht in die Nähe des sich drehenden Zubehörs.** Wenn Sie die Kontrolle verlieren, kann das Kabel durchtrennt oder eingeklemmt werden, und Ihre Hand oder Ihr Arm kann in das sich drehende Zubehörteil gezogen werden.
 12. **Reinigen Sie regelmäßig die Lüftungsschlitze des Elektrowerkzeugs.** Das Gebläse des Motors saugt den Staub ins Innere des Gehäuses, und eine übermäßige Ansammlung von Metallpulver kann zu elektrischen Gefahren führen.
 13. **Betreiben Sie das Elektrowerkzeug nicht in der Nähe von brennbaren Materialien. Betreiben Sie das Elektrowerkzeug nicht, wenn es sich auf einer brennbaren Oberfläche wie z. B. Holz befindet.** Funken könnten diese Materialien entzünden.
 14. **Verwenden Sie kein Zubehör, das flüssige Kühlmittel benötigt.** Das Verwenden von Wasser oder anderen flüssigen Kühlmitteln kann zu einem Stromschlag führen.

Rückschlag und entsprechende Warnhinweise

Ein Rückschlag ist eine plötzliche Reaktion auf eine eingeklemmte oder verhakete rotierende Scheibe. Einklemmen oder Hängenbleiben führt zu einem schnellen Stillstand der rotierenden Scheibe, was wiederum dazu führt, dass das unkontrollierte **Schneidwerk** nach oben in Richtung des Bedieners gedrückt wird.

Wird beispielsweise eine Schleifscheibe durch das Werkstück erfasst oder eingeklemmt, kann sich die Kante der Scheibe, die in den Klambereich eindringt, in die Oberfläche des Materials eingraben, was dazu führt, dass die Scheibe sich herausbewegt oder herausspringt. Auch Schleifscheiben können unter diesen Bedingungen brechen. Ein Rückschlag ist die Folge von unsachgemäßem Gebrauch des Elektrowerkzeugs und/oder falschen Betriebsverfahren oder -bedingungen und kann durch die nachstehend beschriebenen Vorsichtsmaßnahmen vermieden werden.

1. Halten Sie das Elektrowerkzeug fest im Griff und positionieren Sie Ihren Körper und Ihre Arm so, dass Sie den Rückstoßkräften widerstehen können. Der Bediener kann die nach oben gerichteten Rückstoßkräfte kontrollieren, wenn entsprechende Vorsichtsmaßnahmen getroffen werden.
2. Positionieren Sie Ihren Körper nicht in einer Linie mit der rotierenden Scheibe. Wenn ein Rückschlag auftritt, wird das Schneidwerk nach oben in Richtung des Bedieners geschleudert.
3. Bringen Sie keine Sägeketten, Schnitzblätter, segmentierte Diamantscheiben mit einem Umfangsspalt von mehr als 10 mm oder gezahnte Sägeblätter an. Solche Blätter führen häufig zu Rückschlag und Kontrollverlust.
4. Klemmen Sie die Scheibe nicht ein und üben Sie keinen übermäßigen Druck aus. Versuchen Sie nicht, eine übermäßige Schnitttiefe zu erreichen. Eine übermäßige Beanspruchung der Scheibe erhöht die Belastung und die Gefahr des Verdrehens oder Einklemmens der Scheibe im Schnitt sowie das Risiko eines Rückschlags oder Bruchs der Scheibe.
5. Schalten Sie das Elektrowerkzeug aus im Falle einer Blockierung der Scheibe oder wenn Sie einen Schnitt aus irgendeinem Grund unterbrechen. Halten Sie dabei das Elektrowerkzeug bewegungslos, bis die Scheibe zum Stillstand gekommen ist. Versuchen Sie niemals, die Scheibe aus dem Trennschnitt zu entfernen, während die Scheibe in Bewegung ist, da es sonst zu einem Rückschlag kommen kann. Ermitteln Sie die Ursache für das Blockieren der Scheibe und

ergreifen Sie entsprechende Maßnahmen.

6. Starten Sie einen erneuten Schneidvorgang nicht direkt im Werkstück. Lassen Sie die Scheibe ihre volle Drehzahl erreichen und beginnen Sie vorsichtig wieder mit dem Schnitt. Beim erneuten Starten des Elektrowerkzeugs im Werkstück kann die Scheibe blockieren, hochgehen oder zurückschlagen.
7. Stützen Sie übergroße Werkstücke ab, um die Gefahr des Einklemmens der Scheibe und des Rückschlags zu verringern. Große Werkstücke können unter ihrem eigenen Gewicht durchhängen. Stützen Sie das Werkstück in der Nähe der Schnittlinie und in der Nähe der Werkstückkante auf beiden Seiten der Scheibe ab.

Restrisiken

Auch bei bestimmungsgemäßer Verwendung des Elektrowerkzeugs lassen sich nicht alle Restrisikofaktoren ausschließen. Aufgrund der Konstruktion und des Aufbaus des Elektrowerkzeugs können folgende Gefährdungen auftreten:

1. Gesundheitsschäden aufgrund von Vibrationsemissionen, wenn das Elektrowerkzeug über einen längeren Zeitraum verwendet wird oder nicht angemessen gehandhabt und gewartet wird.
2. Verletzungen und Sachschäden durch defektes Zubehör, das plötzlich zerschlägt.

Achtung

Dieses Elektrowerkzeug erzeugt während des Betriebs ein elektromagnetisches Feld. Dieses Feld kann unter bestimmten Umständen aktive oder passive medizinische Implantate beeinflussen. Um das Risiko schwerer oder tödlicher Verletzungen zu verringern, empfehlen wir Personen mit medizinischen Implantaten, vor dem Betrieb dieses Elektrowerkzeugs ihren Arzt und den Hersteller des medizinischen Implantats aufzusuchen.

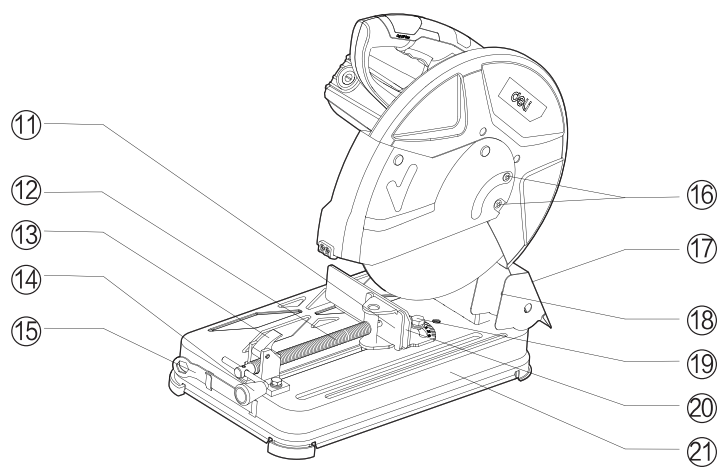
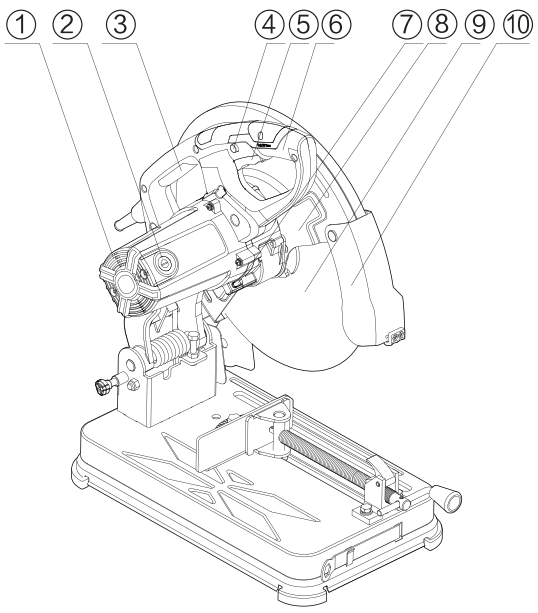
Verwendungszweck

Die Maschine ist für den stationären Einsatz mit Trennscheiben zur Durchführung von geraden Längs- und Querschnitten oder Gehrungsschnitten bis 45° in metallischen Werkstoffen ohne Verwendung von Wasser bestimmt.

Produktmerkmale

Die angegebene Nummerierung der Komponenten bezieht sich auf die Darstellung des Elektrowerkzeugs auf den Grafikseiten.

1. Entlüftung
2. Kohlebürstenabdeckung
3. Handgriff
4. Verriegelungsknopf für Schalterwelle
5. Schalterauslöser
6. Handgriff
7. Verriegelungsknopf für Welle
8. Feste Schutzabdeckung
9. Schleifscheibe
10. Bewegliche Schutzabdeckung
11. Werkstück-Spannplatte
12. Schraubenstange
13. Spannmutter
14. Griff der Schraubstange
15. Schraubenschlüssel
16. Schraube
17. Spanschutz
18. Einstellschraube
19. Bolzen
20. Einstellbarer Anschlagblock
21. Basis
22. Knauf für Kopfbegrenzung
23. Kohlebürste



Montage

Vermeiden Sie ein unbeabsichtigtes Einschalten der Maschine. Während der Montage und bei allen Arbeiten an der Maschine darf der Netzstecker nicht mit dem Stromnetz verbunden sein.

1 Lieferumfang

Nehmen Sie alle im Lieferumfang enthaltenen Teile vorsichtig aus der Verpackung.

Entfernen Sie sämtliches Verpackungsmaterial von der Maschine und dem mitgelieferten Zubehör.

Prüfen Sie vor der ersten Inbetriebnahme der Maschine, ob alle unten aufgeführten Teile vorhanden sind:

- Trennschleifer mit montierter Trennscheibe
- Ringschlüssel 23

Hinweis: Überprüfen Sie das Elektrowerkzeug auf mögliche Schäden.

Überprüfen Sie vor einem weiteren Einsatz der Maschine, ob alle Schutzvorrichtungen voll funktionsfähig sind. Leicht beschädigte Teile müssen sorgfältig überprüft werden, um einen einwandfreien Betrieb des Geräts zu gewährleisten. Alle Teile müssen ordnungsgemäß montiert und alle Bedingungen erfüllt sein, die einen einwandfreien Betrieb gewährleisten.

Beschädigte Schutzvorrichtungen und Teile müssen sofort von einer autorisierten Fachwerkstatt ausgetauscht werden.

2 Flexible Montage

Sollte es ausnahmsweise einmal nicht möglich sein, das Elektrowerkzeug fest zu montieren, können Sie die Beine der Grundplatte 10 provisorisch auf eine geeignete Unterlage (z. B. Werkbank, ebener Boden usw.) stellen, ohne die Maschine zu verschrauben.

3 Absaugung von Staub/Spänen

Stäube von Materialien wie bleihaltigen Beschichtungen, einigen Holzarten, Mineralien und Metall können gesundheitsschädlich sein. Das Berühren oder Einatmen der Stäube kann allergische Reaktionen hervorrufen bzw. zu Atemwegsinfektionen beim Benutzer oder bei umstehenden Personen führen.

Bestimmte Stäube, wie z. B. Eichen- oder Buchenstaub, gelten als krebserregend, insbesondere in Verbindung mit Holzbehandlungsmitteln (Chromat, Holzschutzmittel). Asbesthaltige Materialien dürfen nur von Fachleuten bearbeitet werden.

- Verwenden Sie wann immer dies möglich ist eine Staubabsaugung.
- Sorgen Sie für eine gute Belüftung des Arbeitsplatzes.
- Es wird empfohlen, einen Atemschutz der Filterklasse P2 zu tragen.

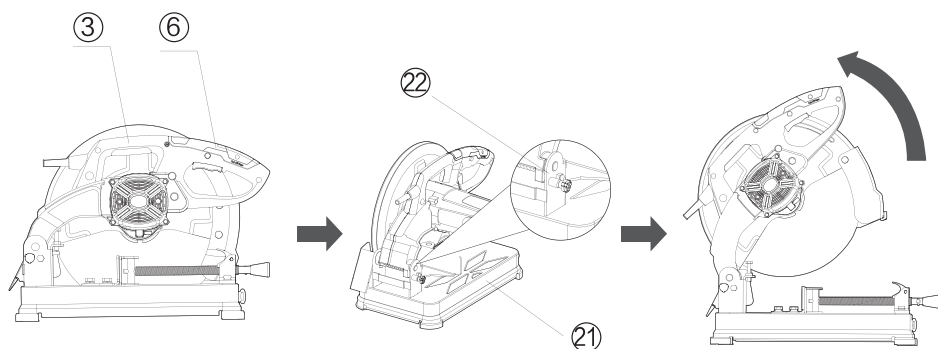
Beachten Sie die in Ihrem Land geltenden Vorschriften für die zu bearbeitenden Materialien.

4 Bedienungsanleitung, Montageanleitung für Zubehör

⚠ Hinweis: Lesen Sie die Bedienungsanleitung vor dem Betrieb durch. Ziehen Sie bei der Wartung von Elektrowerkzeugen und Zubehör immer das Kabel aus der Steckdose.

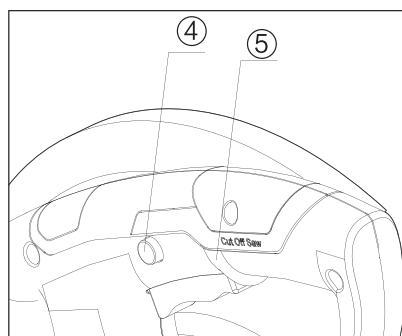
Bedienung der Kopfbegrenzung

Wenn das Werkzeug fixiert werden muss, drücken Sie den Bedienhebel nach unten und führen Sie den Knauf für die Kopfbegrenzung in die Begrenzungsbohrung ein, um das Werkzeug zu fixieren. Wenn das Werkzeug verwendet werden muss, ziehen Sie den Knauf für die Kopfbegrenzung nach außen und heben Sie den Werkzeugkopf an, um es zurückzusetzen. Das Werkzeug ist nun einsatzbereit.



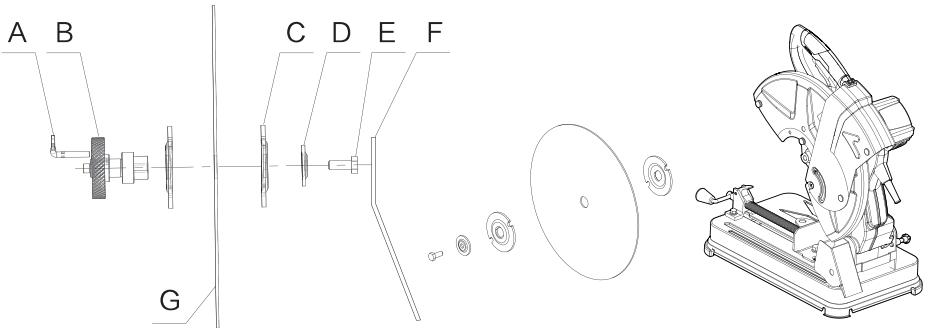
Schalterbetrieb

Um dieses Werkzeug zu starten, drücken Sie einfach den Schalterauslöser. Lassen Sie den Schalterauslöser los, um die Drehung des Werkzeugs zu stoppen. Um die Maschine kontinuierlich drehen zu lassen, öffnen Sie den Schalterauslöser und drücken Sie den Ein/Aus-Verriegelungsknopf. Ziehen Sie den Schalterauslöser und lassen Sie ihn wieder los, um eine kontinuierliche Drehung zu verhindern.



Methode zum Zerlegen und Zusammenbauen der Schleifscheibe

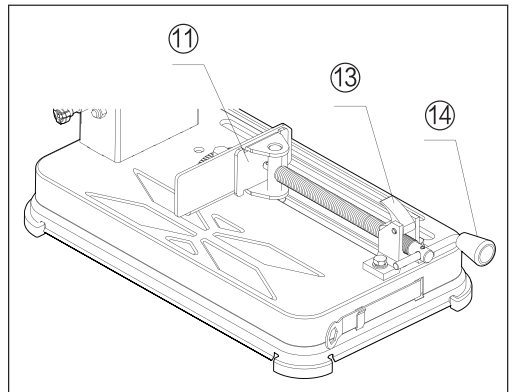
- Abmontieren der Schleifscheibe Nachdem Sie den Feststellknopf A der Welle mit der linken Hand wie angegeben in das Loch der Innenplatte B gedrückt haben, die Schraube E mit dem Schraubenschlüssel F lösen, um die Schleifscheibe G zu entfernen.
- Montieren der Schleifscheibe. Nachdem Sie Staub von der äußeren Druckplatte C, der Dichtung D und der Schraube E entfernt haben, montieren Sie das Schleifrad G. Montieren Sie dann nacheinander die äußere Druckplatte C, die Dichtung D und die Schraube E. Fassen Sie zum Schluss die Schleifscheibe G mit der Hand und sichern Sie die Schraube E mit dem Schraubenschlüssel F. Stellen Sie sicher, dass der Anschlagstift A nach der Montage wieder in seine Ausgangsposition gebracht wird.



Methode zur Befestigung von Werkstücken

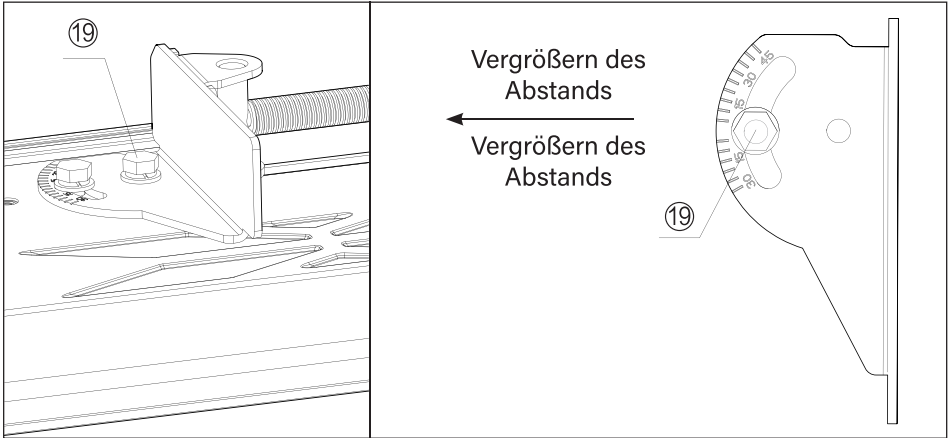
Das Werkstück lösen: Drehen Sie den Schraubengriff gegen den Uhrzeigersinn, um die Gewinde zu lösen, drücken Sie dann die Spannmutter in Richtung Schraubengriff und ziehen Sie die Schraube schnell zurück, um das Werkstück zu entfernen.

Spannen des Werkstücks: Schieben Sie die Schraube nach vorne auf die Druckplatte des Werkstücks gegen das gespannte Werkstück, drücken Sie dann die Spannmutter nach vorne, damit sie nicht mit den Schraubengewinde in Berührung kommt, und drehen Sie schließlich den Schraubengriff im Uhrzeigersinn, um das Werkstück zu fixieren.



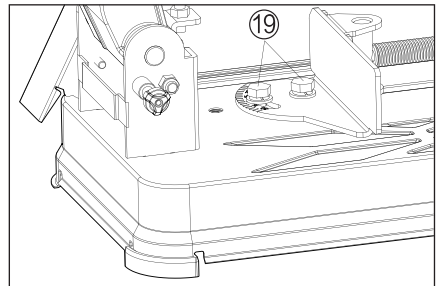
Hinweis: Stellen Sie den Abstand wie in der linken Abbildung gezeigt ein, wenn das bearbeitende Werkstück mehr Platz benötigt (siehe linke Abbildung).

- Entfernen Sie die beiden Schrauben, mit denen die Stützplatte des Werkstücks befestigt ist, und positionieren Sie sie wie in der Abbildung rechts dargestellt neu.
- Montieren Sie dann die Schraube wieder, um die Platte zu sichern.



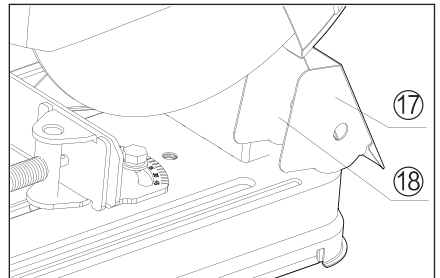
Methode zum Einstellen des Schnittwinkels

Um den Schnittwinkel zu ändern, lösen Sie die beiden Schrauben, mit denen die Werkstück-Stützplatte befestigt ist, drehen Sie die Werkstück-Stützplatte auf den gewünschten Winkel, und ziehen Sie die Schrauben fest.



Einstellmethode des Spanschutzes

Der Werkzeughalter ist mit einem Spanschutz ausgestattet. Der Winkel der Abdeckung kann durch Lösen der Schrauben nach Bedarf eingestellt werden, um Funkenflug zu verhindern.



5 Ansprechpartner für Wartung, Service und Kundendienst

Reparatur und Wartung

Austauschzeit für Schleifscheiben

Der Verschleiß von Schleifscheiben kann die Arbeitseffizienz beeinträchtigen. Ersetzen Sie sie umgehend durch neue. Prüfen Sie die Schleifscheibe vor Gebrauch sorgfältig auf Risse und Verformungen. Ersetzen Sie beschädigte umgehend.

Prüfen Sie die Schrauben, die verschiedene Teile verbinden.

Die verschiedenen Teile sollten regelmäßig auf lose Schrauben überprüft werden. Wenn eine Lockerung festgestellt wird, muss die Schraube sofort festgezogen werden. Die Verwendung von Schrauben in losem Zustand kann leicht zu Gefahren führen.

Lagerung nach dem Betrieb

Ziehen Sie nach dem Gebrauch den Netzstecker aus der Steckdose, und bewahren Sie die Maschine an einem Ort auf, der für Kinder nicht zugänglich ist.

Entstaubung

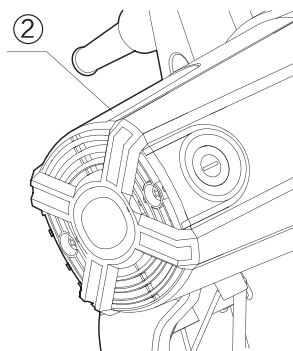
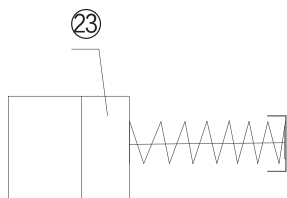
Die Maschine sollte nach dem Gebrauch gereinigt werden, um zu verhindern, dass Schmutz in den Motor eindringt und Schäden verursacht.

Prüfen und ersetzen Sie die Kohlebürsten regelmäßig.

Nach längerem Gebrauch verkürzen sich die Kohlebürsten. Ersetzen Sie sie, wenn sie eine Länge von etwa 5 bis 6 mm erreichen, um Schäden an der Maschine zu vermeiden.

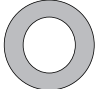
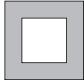
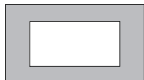
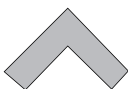
Austauschverfahren für Kohlebürsten:

- Überprüfen und ersetzen Sie verschlissene Kohlebürsten regelmäßig, damit diese sauber bleiben und sich frei im Bürstenhalter bewegen können. Ersetzen Sie beide auf einmal durch Originalzubehör.
- Entfernen Sie mit einem Kreuzschraubendreher die hintere Abdeckung der Maschine, entfernen Sie die abgenutzten Kohlebürsten, und drücken Sie dann die Scheibenfeder zurück, bevor Sie die Abdeckung wieder anbringen.



Zulässige Werkstückabmessungen

Maximal zulässige Werkstückgrößen:

Gehrungs-/Fasenwinkel		
Form des Werkstücks	0°	45°
	Ø100 (4")	Ø100 (3-1/8")
	100x100mm (4" x 4")	75x75mm (3" x 3")
	160x100mm (6-1/4" x 4")	80x75mm (3-1/8" x 3")
	120x100mm (4-3/4" x 4")	75x75mm (3" x 3")

Minimale Werkstückgrößen

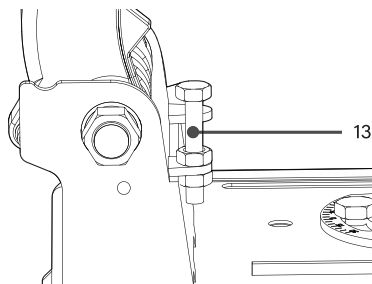
(= alle Werkstücke, die über die Spannspindel 7 eingespannt werden können): Länge 80 mm

Einstellen des Tiefenanschlags

Im Auslieferungszustand der Maschine ist der Tiefenanschlag 13 so eingestellt, dass eine neue 355 mm Trennscheibe beim Schneiden die Grundplatte nicht berührt.

Um den Verschleiß der Trennscheibe auszugleichen, kann der Tiefenanschlag tiefer eingestellt werden.

Bei Verwendung einer neuen Trennscheibe muss der Tiefenanschlag dann immer wieder auf die ursprüngliche Position zurückgestellt werden.



Stellen Sie den Tiefenanschlag immer so ein, dass die Trennscheibe beim Schneiden nicht die Grundplatte berührt.

- Bringen Sie das Elektrowerkzeug in die Arbeitsposition. siehe „Entsichern der Maschine (Arbeitsposition)“.
- Lösen Sie die Kontermutter 22.
- Schwenken Sie den Werkzeugarm mit dem Griff 2 in die gewünschte Position.
- Schrauben Sie den Tiefenanschlag 13 fest.
- Führen Sie den Werkzeugarm langsam nach oben und ziehen Sie die Kontermutter 22 an. Transport
- Tragen Sie das Elektrowerkzeug immer an seinem Transportgriff 15.

Das Elektrowerkzeug sollte immer von zwei Personen getragen werden, um Rückenverletzungen zu vermeiden.

Verwenden Sie beim Transport des Elektrowerkzeugs nur die Transportvorrichtungen und niemals die Schutzeinrichtungen.

1 **Wartung und Reinigung**

Ziehen Sie vor allen Arbeiten an der Maschine selbst den Netzstecker.

Halten Sie die Maschine und die Lüftungsschlitze stets sauber, um ein sicheres und ordnungsgemäßes Arbeiten zu gewährleisten.

Verwenden Sie unter schwierigen Bedingungen so weit wie möglich eine Staubabsaugung. Blasen Sie die Lüftungsschlitze häufig aus und installieren Sie einen Fehlerstromschutzschalter (RCD). Bei der Bearbeitung von Metallen kann sich leitfähiger Staub im Inneren des Elektrowerkzeugs ablagern. Die Gesamtisolierung des Elektrowerkzeugs kann dadurch beeinträchtigt werden.

Lassen Sie Wartungs- und Reparaturarbeiten nur von qualifiziertem Fachpersonal durchführen. Dadurch wird gewährleistet, dass die Sicherheit des Elektrowerkzeugs erhalten bleibt. Der einziehbare Klingenschutz muss sich immer frei bewegen und selbsttätig zurückziehen können. Halten Sie deshalb den Bereich um den einziehbaren Klingenschutz immer sauber.

2 **Zubehör**

Trennscheibe (355 mm 14") Schraubenschlüssel
Kohlebürsten

3 **Kundendienst und Kundenbetreuung**

Unser Kundendienst beantwortet Ihre Fragen zu Wartung und Reparatur Ihres Produkts sowie zu Ersatzteilen.

Unsere Kundenbetreuer beantworten Ihre Fragen zu Einsatzmöglichkeiten und Einstellung von Produkten und Zubehör.

Produktgarantiekarte

Produktgarantiekarte:

Wir bedanken uns, dass Sie sich für unsere Produkte entschieden haben. Im Interesse ihrer Zufriedenheit können sich die Käufer im Falle von Qualitätsproblemen mit der Rechnung und der Garantiekarte an den lokalen Vertriebshändler oder an die angegebene Reparaturstelle wenden.

Garantie Hinweis:

1. Wenn von _____ (Jahr/Monat/Tag) bis _____ (Jahr/Monat/Tag), das Produkt bei bestimmungsgemäßigem Gebrauch ausfällt, bietet unser Unternehmen eine kostenlose Garantie, Ersatzteilversorgung und andere Dienstleistungen je nach Problemfall.
2. Diese Garantiekarte und der Kaufbeleg dienen als Nachweise für den von unserem Unternehmen angebotenen Kundendienst. Die Karte darf nur nach Ausfüllen des folgenden Formulars und Anbringen des offiziellen Händlerstempels ausgefüllt werden.
3. Bei folgenden Fällen gilt der kostenlose Garantieservice nicht, und es werden Wartungsgebühren fällig:
 - (1) Überschreitung des Verfallsdatums.
 - (2) Fehler oder Schäden, die durch Nichtbeachtung der Anweisungen im Produkthandbuch, unsachgemäße Wartung oder Lagerung verursacht wurden.
 - (3) Fehler oder Schäden, die durch das Zerlegen, Reparieren oder Modifizieren des Produkts ohne Genehmigung von unserem Unternehmen verursacht wurden.
 - (4) Geräteausfall oder Schäden, die durch höhere Gewalt verursacht wurden.
 - (5) Für verbrauchbares Zubehör.

Diese Karte wird zusammen mit dem Produkt ausgegeben. Eine Karte pro Gerät. Bewahren Sie diese Karte sorgfältig auf, um den Anspruch auf den kostenlosen Garantieservice des Unternehmens zu gewährleisten; bei Verlust wird sie nicht ersetzt.

Kaufdatum: _____ (Jahr/Monat/Tag)

Produktzertifikat

Prüfer:

01

Herstellungsdatum:

NINGBO DELI TOOLS CO., LTD.
No. 128 Chezhan West Road, Huangtan Town,
Ninghai County, Ningbo, Zhejiang, China
delitoolsglobal@nbdeli.com
www.delitoolsglobal.com
+86 574 87562689
MADE IN CHINA



Scie à onglet circulaire

Numéro d'article	DE-XQ355-2E
Puissance d'entrée nominale	2400W
Tension nominale	220-240V~
Fréquence	50/60Hz
Vitesse à vide	4000/min
Angle de rotation	±45°
Poids	15.5kg

Accessoire

- Clé
- Balais de charbon
- Disque de coupe






Veuillez noter le numéro d'article sur la plaque signalétique de votre machine. Le nom commercial de chaque machine peut varier.

Dimensions des disques de coupe compatibles

Diamètre du disque de coupe	355mm(14")
Épaisseur du disque de coupe	3.5mm(1/8")
Diamètre du trou de montage	25.4mm(1")

Instructions originales

Les symboles dans le mode d'emploi et l'étiquette sur l'outil

	Lisez le mode d'emploi de l'outil avant de l'utiliser.
	Portez des lunettes de sécurité, une protection auditive et un masque anti-poussière.
	Les déchets de produits électriques ne doivent pas être jetés avec les ordures ménagères. Veuillez les recycler dans les installations dédiées. Renseignez-vous auprès de votre autorité locale ou de votre détaillant pour obtenir des conseils pour le recyclage.
	Avertissement de sécurité. Utilisez uniquement les accessoires homologués par le fabricant.
	Portez des gants de protection. Les disques de coupe sont très tranchants et peuvent devenir très chauds pendant le fonctionnement.

AVERTISSEMENTS GÉNÉRAUX DE SÉCURITÉ POUR LES OUTILS ÉLECTRIQUES

⚠ AVERTISSEMENT Lire l'ensemble des avertissements, instructions, illustrations et spécifications fourni avec cet outil électrique. Le fait de ne pas suivre toutes les instructions figurant dans la liste ci-dessous peut entraîner un risque de choc électrique, d'incendie et/ou de blessures graves. **Conservez tous les avertissements et instructions à titre d'information.** Le terme « outil électrique » dans les avertissements fait référence à votre outil électrique (avec fil) fonctionnant sur secteur ou à votre outil électrique (sans fil) fonctionnant sur batterie.

Sécurité du lieu de travail

1. **Travaillez toujours dans un espace propre et bien éclairé.** Les emplacements encombrés ou sombres favorisent les accidents.
2. **N'utilisez pas d'outils électriques dans un environnement explosif, par exemple en présence de liquides, de gaz ou de poussières inflammables.** Les outils électriques génèrent des étincelles qui peuvent enflammer les vapeurs ou la poussière.
3. **Demandez aux enfants et aux personnes présentes de s'éloigner lorsque vous utilisez un outil électrique.** Toutes distractions peuvent vous faire perdre le contrôle.

Sécurité électrique

1. **Les prises de l'outil électrique doivent correspondre à la prise de courant. N'altérez jamais la prise de quelque manière que ce soit. N'utilisez pas de prises d'adaptateur avec des appareils mis à la terre.** Les prises non altérées et les prises murales correspondantes réduiront les risques de chocs électriques.
2. **Évitez que votre corps puisse toucher les surfaces mises à la terre, telles que tuyaux, radiateurs, cuisinières et réfrigérateurs.** Le risque d'électrocution est plus important si votre corps est mis à la terre.

3. **N'exposez pas les outils électriques à la pluie ni à l'humidité.** La pénétration d'eau dans un outil électrique augmente les risques d'électrocution.
4. **Ne maltraitez pas le cordon d'alimentation. N'utilisez jamais le fil pour transporter, tirer ou débrancher l'outil électrique. Conservez le fil à l'écart de la chaleur, de l'huile, des bords coupants ou pièces mobiles.** Un fil endommagé ou emmêlé augmente les risques d'électrocution.
5. **Lorsque vous utilisez un outil électrique à l'extérieur, utilisez une rallonge adaptée pour une utilisation en extérieur.** L'utilisation d'un fil adapté à l'usage extérieur réduit les risques d'électrocution.
6. **Si l'utilisation d'un outil électrique dans un endroit humide est inévitable, utilisez une alimentation protégée par un disjoncteur (RCD ou dispositif à courant résiduel).** L'utilisation d'un disjoncteur permet de réduire les risques d'électrocution.

Sécurité individuelle

1. **Restez vigilant, surveillez ce que vous faites et faites preuve de bon sens lorsque vous utilisez un outil électrique. N'utilisez pas un outil électrique si vous êtes fatigué ou sous l'influence de drogues, d'alcool ou de médicaments.** Un moment d'inattention lors de l'utilisation d'outils électriques peut entraîner des blessures graves.
2. **Portez un équipement de protection individuelle. Portez toujours une protection auditive (oreillettes).** Des équipements de protection tels qu'un masque anti-poussière, des chaussures de sécurité antidérapantes, un casque ou des protections auditives, utilisés dans de bonnes conditions, permettront de réduire les risques de blessures.
3. **Empêchez les démarrages involontaires. Assurez-vous que l'interrupteur est en position d'arrêt avant de connecter l'outil à une source d'alimentation et/ou à une batterie, de le saisir ou de le transporter.** Le fait de transporter des outils électriques en ayant le doigt sur l'interrupteur ou de lancer des outils électriques lorsque l'interrupteur est allumé, peut être source d'accidents.
4. **Retirez toute clé de réglage ou autre clé avant de mettre l'outil électrique sous tension.** Une clé laissée sur une pièce

rotative de l'outil électrique peut entraîner des blessures.

5. **Travaillez en utilisant l'outil sans le tenir trop loin de vous. Conservez à tout moment un bon appui et bon équilibre.**
Vous pouvez ainsi mieux contrôler l'outil électrique en cas de situations imprévues.
6. **Habillez-vous correctement. Ne portez pas de vêtements amples ni de bijoux. Tenez les cheveux et les vêtements à l'écart des pièces en mouvement.** Les vêtements amples, les bijoux ou les cheveux longs peuvent se coincer dans les pièces en mouvement.
7. **Si des outils peuvent être raccordés à des équipements de collecte et d'extraction de la poussière, assurez-vous qu'ils sont raccordés et utilisés correctement.** L'utilisation d'un système de collecte de la poussière peut réduire les risques liés à la poussière.
8. **Même si vous avez pris l'habitude d'utiliser des outils, vous ne devez pas être moins vigilant et ignorer les principes de sécurité des outils.** Un geste imprudent peut provoquer une blessure grave en une fraction de seconde.

Utilisation et entretien de l'outil électrique

1. **Ne forcez pas sur l'outil électrique. Utilisez l'outil électrique convenant à l'usage.** Le bon outil électrique fonctionnera mieux et plus sûrement s'il est utilisé à la vitesse pour laquelle il a été conçu.
2. **N'utilisez pas l'outil électrique si l'interrupteur de mise sous et hors tension ne fonctionne pas.** Tout outil électrique ne pouvant être contrôlé avec l'interrupteur est un outil dangereux, et doit être réparé.
3. **Débranchez la prise de courant et/ou retirez la batterie, si elle est détachable, de l'outil électrique avant tout réglage, changement d'accessoires ou avant de ranger des outils électriques.** Ce type de mesures de protection permet de réduire les risques d'allumage accidentel de l'outil électrique.
4. **Rangez les outils électriques inutilisés hors de portée des enfants, et aucune personne ne doit utiliser l'outil électrique si elle n'a aucune expérience des outils électriques ou si elle n'a pas lu ces instructions.** Les outils électriques sont dangereux entre les mains de personnes qui n'y sont pas formées.

5. **Entretenez les outils électriques et leurs accessoires. Vérifiez l'alignement ou l'adhésion des pièces en mouvement, toute casse de pièces et toute autre condition susceptible d'affecter le bon fonctionnement de l'outil électrique. S'il est endommagé, faites réparer l'outil électrique avant de l'utiliser.** De nombreux accidents sont causés par des outils électriques mal entretenus.
6. **Faites en sorte que les outils de coupe restent affûtés et propres.** Des outils de coupe bien entretenus aux bords affûtés adhèrent moins et sont plus faciles à contrôler.
7. **Utilisez l'outil électrique, les accessoires, embouts et forets, conformément à ces instructions, en tenant compte des conditions de travail et du travail à réaliser.** L'utilisation de l'outil électrique dans un but différent de celui prévu peut entraîner des situations dangereuses.
8. **Faites en sorte que les surfaces de préhension et poignées restent sèches, propres et exemptes d'huile et de graisse.** Les poignées et les surfaces de préhension glissantes ne permettent pas de manipuler et de contrôler l'outil en toute sécurité dans des situations inattendues.

Entretien

1. **Faites réviser votre outil électrique par un technicien qualifié en utilisant seulement des pièces de rechange identiques.** Cela permettra de préserver la sécurité de l'outil électrique.

Avertissements de sécurité supplémentaires

Consignes de sécurité pour les machines de coupe

Avertissements de sécurité pour machine de coupe

1. **Tenez-vous éloigné et demandez aux personnes autour de vous de se placer loin du plan du disque rotatif.** Le dispositif de protection permet de protéger des fragments de disque cassés et de tout contact accidentel avec le disque.
2. **Utilisez uniquement des disques de tronçonnage diamant ou renforcés pour votre outil électrique.** Le simple fait qu'un accessoire puisse être fixé à votre outil électrique ne garantit pas un fonctionnement

sécurisé.

3. **La vitesse nominale de l'accessoire doit être au moins égale à la vitesse maximale indiquée sur l'outil électrique.** Les accessoires fonctionnant plus vite que leur vitesse nominale peuvent se briser et voler en éclats.
4. **Les disques ne doivent être utilisés que pour les applications recommandées. Par exemple : ne pas meuler avec le côté d'un disque de coupe.** Les disques abrasifs sont destinés au meulage périphérique, les forces latérales appliquées à ces disques peuvent les briser.
5. **Utilisez toujours des brides de disque intactes dont le diamètre correspond au disque sélectionné.** Des brides de disque appropriées soutiennent le disque, réduisant ainsi le risque de rupture du disque.
6. **Le diamètre extérieur et l'épaisseur de votre accessoire doivent correspondre à la capacité nominale de votre outil électrique.** Les accessoires mal dimensionnés ne peuvent pas être protégés ou contrôlés de manière adéquate.
7. **Les dimensions du réceptacle du disque et des brides doivent correspondre correctement à la broche de l'outil électrique.** Les disques et les brides dont les systèmes de fixation ne correspondent pas au matériel de montage de l'outil électrique seront déséquilibrés, vibreront excessivement et peuvent entraîner une perte de contrôle.
8. **N'utilisez pas de disques endommagés. Avant chaque utilisation, inspectez les disques pour vérifier s'ils présentent des signes de dommages et de fissures. En cas de chute de l'outil électrique ou du disque, vérifiez s'il y a des dommages ou installez un disque neuf. Après avoir inspecté et installé le disque, tenez-vous éloigné et demandez aux personnes autour de vous de se placer loin du plan du disque rotatif et faites fonctionner l'outil électrique à la vitesse maximale à vide pendant une minute.** Les disques endommagés se briseront normalement pendant ce test.
9. **Portez un équipement de protection individuelle. Selon l'application, utiliser un écran facial, un masque de sécurité ou des lunettes de sécurité. Le cas échéant, porter un masque anti-poussière, des protections auditives, des gants et un tablier d'atelier capable d'arrêter les petits fragments de la pièce à usiner ou les petits fragments abrasifs.** La protection oculaire doit être capable d'arrêter les débris projetés, générés par divers travaux. Le masque anti-poussière ou le respirateur doit être capable de filtrer les particules générées par vos travaux. Une exposition prolongée à un bruit de forte intensité peut entraîner une perte auditive.
10. **Les personnes autour de vous doivent se tenir à une distance de sécurité de la zone de travail. Toute personne entrant dans la zone de travail doit porter un équipement de protection individuelle.** Les fragments de la pièce à usiner ou d'un disque cassé peuvent être projetés au-delà de la zone proche des travaux et causer des blessures.
11. **Positionnez le cordon loin de l'accessoire rotatif.** Si vous perdez le contrôle, vous risquez de couper ou votre main ou votre bras peuvent être attirés vers le disque.
12. **Nettoyez régulièrement les bouches d'aération de l'outil électrique.** Le ventilateur du moteur aspirera la poussière à l'intérieur du boîtier et une accumulation excessive de métal en poudre peut entraîner des risques électriques.
13. **N'utilisez pas l'outil électrique à proximité de matériaux inflammables. N'utilisez pas l'outil électrique lorsqu'il est placé sur une surface combustible telle que du bois.** Des étincelles pourraient enflammer ces matériaux.
14. **N'utilisez pas d'accessoires nécessitant de liquides de refroidissement.** L'utilisation d'eau ou d'autres liquides de refroidissement peut entraîner une électrocution ou un choc électrique.

Reculs et avertissements correspondants

Le recul est une réaction soudaine d'un disque rotatif coincé ou accroché. Si le disque est pincé ou bloqué, cela peut provoquer une perte de contrôle **du système de coupe** avec un mouvement de recul vers l'utilisateur.

Par exemple, si un disque abrasif est accroché ou coincé par la pièce à usiner, le bord du disque qui pénètre dans le point de pincement peut creuser dans la surface du matériau, provoquant la remontée ou le recul du disque. Les disques abrasifs peuvent également se briser dans ces conditions. Le recul est le résultat d'une mauvaise utilisation de l'outil électrique et/ou de procédures ou conditions d'utilisation incorrectes et il peut être évité en prenant les précautions appropriées comme indiqué ci-dessous.

1. **Tenez l'outil électrique bien fermement**

- et maintenez votre corps et vos bras dans une position permettant de résister aux forces de recul.** L'utilisateur peut contrôler les forces de recul si les précautions appropriées sont prises.
- 2. Ne positionnez pas votre corps dans la trajectoire du disque rotatif.** En cas de recul, le système de coupe sera soumis à un mouvement de retour vers l'utilisateur.
 - 3. Ne fixez pas une chaîne de scie, une lame de sculpture sur bois, un disque diamant segmenté avec un espace périphérique supérieur à 10 mm ou une lame de scie dentée.** Ces lames provoquent des reculs fréquents et une perte de contrôle.
 - 4. Ne pas « coincer » le disque ni appliquer de pression excessive. N'essayez pas de faire une coupe trop profonde.** Toute force excessive appliquée sur le disque augmente la charge et le risque de torsion et de grippage du disque dans l'entaille, ainsi que le risque de recul ou de rupture du disque.
 - 5. Lorsque le disque se coince ou si vous arrêtez de couper pour une raison quelconque, désactivez l'outil électrique et tenez-le sans bouger jusqu'à ce que le disque s'arrête complètement. N'essayez jamais de retirer le disque de l'entaille lorsque le disque bouge pour éviter tout risque de recul.** Vérifiez et prenez une mesure de correction pour éliminer l'origine du grippage du disque.
 - 6. Ne recommencez pas à couper dans la pièce à usiner. Laissez le disque atteindre le régime maximal et reprenez soigneusement la coupe.** Le disque peut se gripper, sortir ou effectuer un recul si l'outil électrique redémarre dans la pièce à usiner.
 - 7. Soutenez les pièces surdimensionnées pour minimiser le risque de pincement et de recul du disque.** Les grandes pièces à usiner ont tendance à s'affaisser sous leur propre poids. Des supports doivent être placés sous la pièce à usiner à proximité de la ligne de coupe et du bord de la pièce à usiner sur les deux côtés du disque.

1. Risques pour la santé liés aux vibrations si l'outil électrique s'il est utilisé pendant une période prolongée ou s'il n'est pas correctement utilisé et entretenu.
2. Les blessures et dommages matériels dus à des accessoires cassés qui sont soudainement projetés.

Avertissement

Cet outil électrique produit un champ électromagnétique pendant son fonctionnement. Ce champ peut dans certaines circonstances interférer avec les implants médicaux actifs ou passifs. Pour réduire le risque de blessures graves ou mortelles, nous recommandons aux personnes porteuses d'implants médicaux de consulter leur médecin et le fabricant d'implants médicaux avant d'utiliser cet outil électrique.

Risques résiduels

Même si l'outil électrique est utilisé selon les instructions, il n'est pas possible d'éliminer tous les facteurs de risque résiduels. Les risques suivants sont liés à la fabrication et la conception de l'outil électrique :

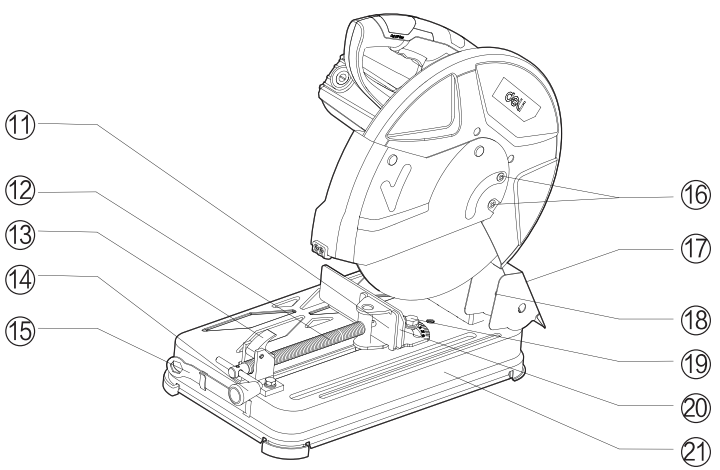
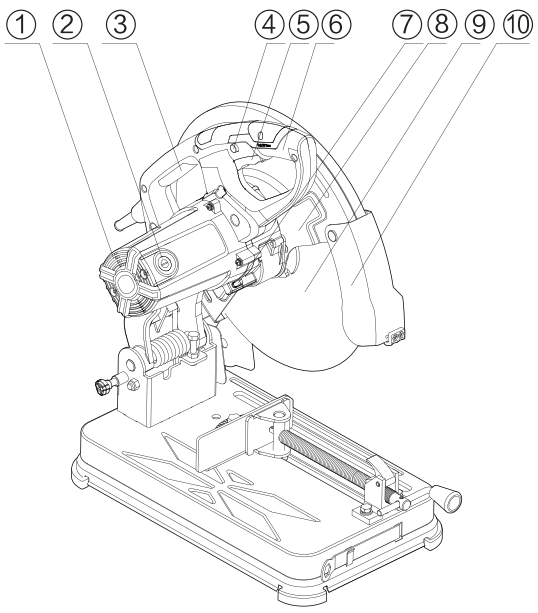
Utilisation prévue

La machine est destinée à une utilisation stationnaire avec des disques de coupe pour effectuer des coupes droites longitudinales et transversales ou des coupes d'onglet à 45° dans des matériaux métalliques sans utiliser d'eau.

Caractéristiques du produit

La numérotation des composants représentés fait référence à la présentation de l'outil électrique sur les pages d'illustration.

1. Bouche d'aération
2. Cache des balais de charbon
3. Poignée
4. Bouton de verrouillage pour l'arbre de commutation
5. Gâchette
6. Poignée
7. Bouton de verrouillage pour l'arbre
8. Couvercle de protection fixe
9. Disque de meulage
10. Couvercle de protection mobile
11. Plaque de serrage de la pièce
12. Tige filetée
13. Écrou de serrage
14. Poignée de tige filetée
15. Clé
16. Vis
17. Pare-copeaux
18. Vis de réglage
19. Boulon
20. Bloc d'arrêt réglable
21. Socle
22. Bouton de limite de tête
23. Balai de charbon



Évitez le démarrage accidentel de la machine. Pendant le montage et pour tous les travaux sur la machine, la fiche d'alimentation ne doit pas être branchée sur la prise secteur.

1 Contenu de la livraison

Retirez soigneusement toutes les pièces incluses dans la livraison de leur emballage.

Retirez tout le matériel d'emballage de la machine et des accessoires fournis.

Avant de démarrer la machine pour la première fois, vérifiez si toutes les pièces énumérées ci-dessous ont été fournies :

- Scie circulaire avec disque de coupe monté
- Clé à anneau 23

Remarque : Vérifiez que l'outil électrique n'est pas endommagé.

Avant d'utiliser la machine, vérifiez que tous les dispositifs de protection sont pleinement fonctionnels. Toutes les pièces légèrement endommagées doivent être soigneusement vérifiées pour garantir un fonctionnement sans défaut de l'outil. Toutes les pièces doivent être correctement montées et toutes les conditions remplies pour garantir un fonctionnement sans défaut.

Les dispositifs de protection et les pièces endommagés doivent être immédiatement remplacés par un réparateur agréé.

2 Montage flexible

Dans le cas exceptionnel où il n'est pas possible de monter fermement l'outil électrique sur un établi, vous pouvez provisoirement placer les pieds du socle 10 sur une surface appropriée (par exemple un établi, un sol plat, etc.) sans boulonner la machine.

3 Extraction de poussière/copeaux

Les poussières générées par des matériaux tels que les revêtements contenant du plomb, certains types de bois, les roches et le métal peuvent être nocives pour la santé. Toucher ou respirer les poussières peut provoquer des réactions allergiques et / ou entraîner des infections respiratoires.

Certaines poussières, telles que les poussières de chêne ou de hêtre, sont considérées comme cancérigènes, notamment si le bois est enduit d'additifs de traitement (chromate, produit de préservation du bois). Les matériaux contenant de l'amiant doivent être travaillés uniquement par des spécialistes.

- Utilisez un système d'extraction de la poussière autant que possible.
- Installez un bon système de ventilation du lieu de travail.
- Il est recommandé de porter un respirateur de classe à filtre P2.

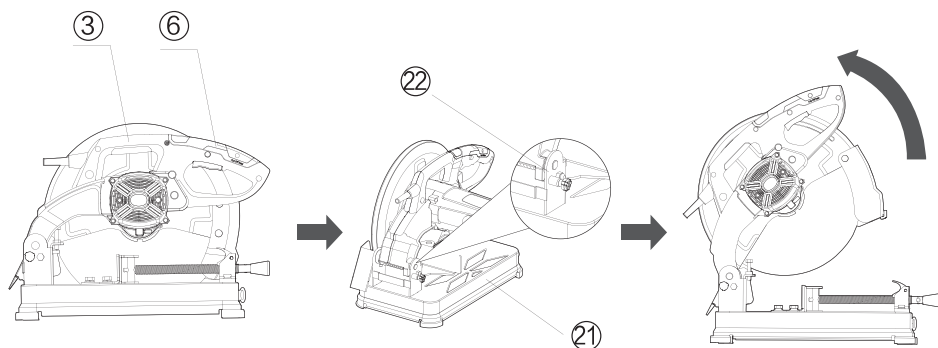
Respectez les réglementations en vigueur dans votre pays pour les matériaux à travailler.

4 Mode d'emploi, instructions d'installation des accessoires

⚠ Remarque : Lisez le mode d'emploi avant d'utiliser l'outil. Débranchez toujours le câble de la prise de courant lors de l'entretien des outils électriques et des accessoires.

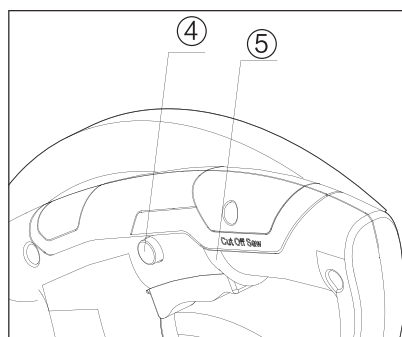
Utilisation de la limite de tête

Lorsqu'il est nécessaire de fixer l'outil, appuyez sur la poignée de commande et insérez le bouton de limite de tête dans le trou de limite pour fixer l'outil. Lorsqu'il est nécessaire d'utiliser l'outil, tirez le bouton de limite de tête de la machine vers l'extérieur, soulevez la tête de l'outil pour la réinitialiser, puis il est prêt à être utilisé.



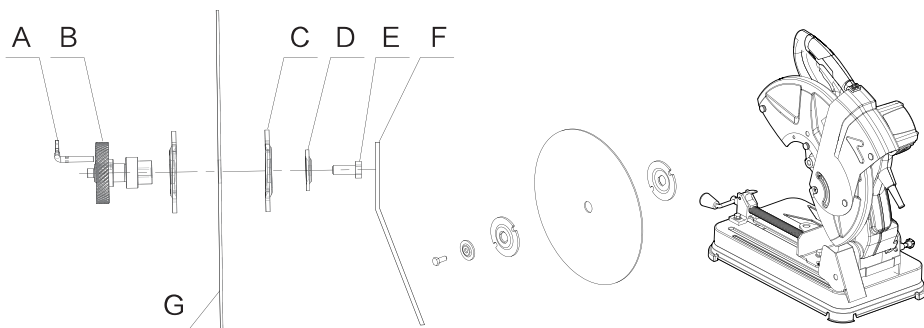
Utilisation de l'interrupteur

Pour démarrer cet outil, il suffit d'appuyer sur la gâchette. Relâchez la gâchette marche/arrêt pour arrêter la rotation de l'outil. Pour faire tourner la machine en continu, ouvrez la gâchette marche/arrêt et appuyez sur le bouton de verrouillage marche/arrêt, puis tirez sur la gâchette marche/arrêt et relâchez-la à nouveau pour supprimer la rotation continue.



Méthode de démontage et de montage disque de meulage

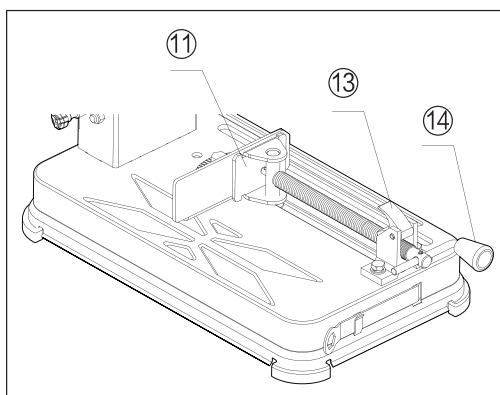
- Démontage du disque de meulage : après avoir poussé le bouton de verrouillage de l'arbre A avec la main gauche dans le trou de la plaque intérieure B selon les spécifications, desserrez le boulon E avec la clé F pour retirer le disque de meulage G.
- Installation de la meule. Après avoir enlevé la poussière de la plaque de pression extérieure C, du joint d'étanchéité D et du boulon E, installez le disque de meulage G. Installez ensuite la plaque de pression extérieure C, le joint d'étanchéité D et le boulon E. Enfin, saisissez le disque de meulage G avec votre main et serrez le boulon E avec une clé F. Vous devez vérifier que la goupille d'arrêt A est revenue dans sa position initiale après l'installation.



Méthode de fixation des pièces

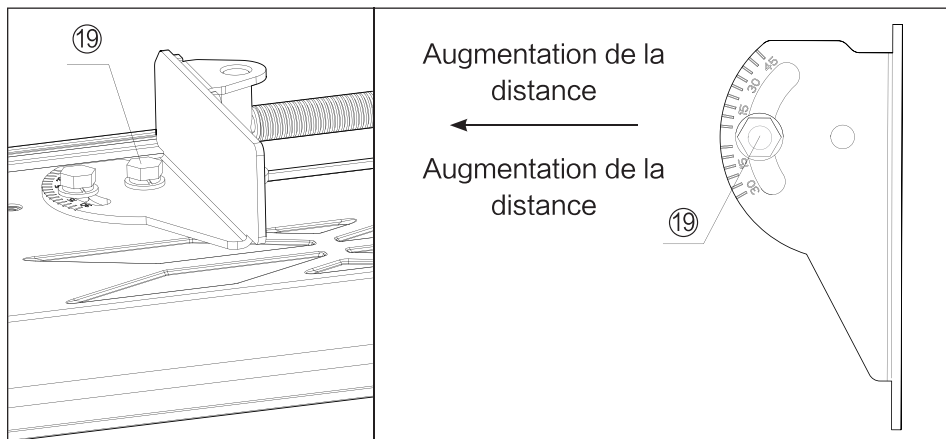
Desserrez la pièce : Tournez la poignée à vis dans le sens inverse des aiguilles d'une montre pour desserrer les filetages, puis poussez l'écrou de serrage vers la poignée à vis et tirez rapidement la vis pour retirer la pièce.

Serrage de la pièce : poussez la vis vers l'avant jusqu'à ce que la plaque de pression de la pièce soit en contact avec la pièce à serrer, puis poussez l'écrou de serrage vers l'avant de manière à ce qu'il n'entre pas en contact avec les filetages de la vis, et enfin tournez la poignée à vis dans le sens des aiguilles d'une montre pour fixer la pièce.



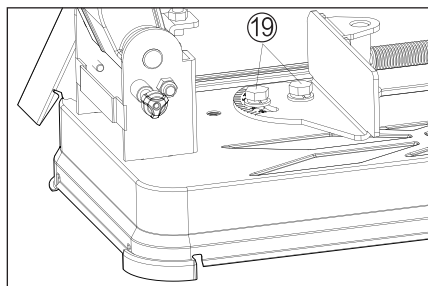
Remarque : Ajustez l'espace ou l'espacement comme indiqué sur la figure de gauche si la pièce nécessite plus d'espace (voir la figure de gauche).

- Retirez les deux boulons de fixation de la plaque de support de la pièce et repositionnez-la comme indiqué sur la figure de droite.
- Réinstallez ensuite le boulon de fixation.



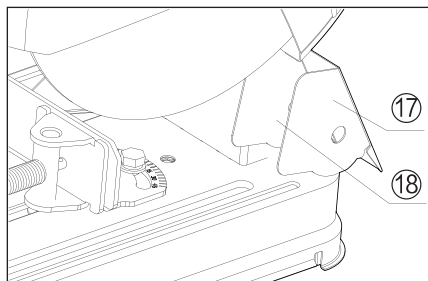
Méthode de réglage de l'angle de coupe

Pour modifier l'angle de coupe, desserrez les deux boulons de fixation de la plaque de support de la pièce, faites pivoter la plaque de support de la pièce jusqu'à l'angle désiré, puis resserrez les boulons.



Méthode de réglage du pare-copeaux

Le porte-outil est équipé d'un pare-copeaux. L'angle du capot peut être ajusté en desserrant les vis selon les besoins afin d'éviter les projections d'étincelles.



5 Maintenance, entretien et contacts après-vente

Réparation et maintenance

Période de remplacement des disque de meulage

L'usure des disque de meulage peut avoir un impact sur l'efficacité du travail. Remplacez-les rapidement par des neuves. Avant toute utilisation, veuillez vérifier soigneusement que le disque de meulage ne présente pas de fissures ou de déformations. Remplacez rapidement le disque s'il est endommagé.

Inspectez les vis de fixation des différentes pièces.

Les différentes pièces doivent faire l'objet d'inspections régulières afin de détecter toute vis desserrée. Si une vis est desserrée, resserrez-la immédiatement. L'utilisation de l'outil avec des vis desserrées peut facilement entraîner un danger.

Rangement après utilisation

Après utilisation, débranchez la fiche d'alimentation et rangez la machine dans un endroit inaccessible aux enfants.

Dépoussiérage

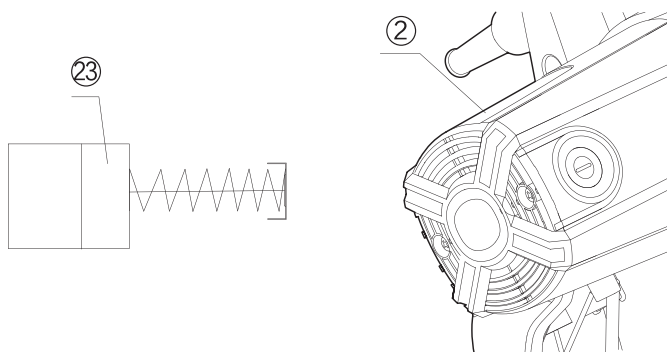
La machine doit être nettoyée après utilisation afin d'éviter que des saletés ne pénètrent dans le moteur et ne l'endommagent.

Vérifiez et remplacez régulièrement les balais de charbon.

Après une utilisation prolongée, les balais de charbon s'useront. Remplacez-les lorsqu'ils atteignent une épaisseur d'environ 5 à 6 mm pour éviter d'endommager la machine.

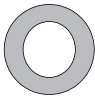
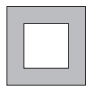

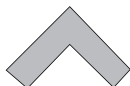
Procédure de remplacement des balais de charbon :

- Inspectez et remplacez régulièrement les balais de charbon usés, en veillant à ce qu'ils soient propres et qu'ils glissent librement à l'intérieur du porte-balai. Remplacez les deux en même temps par des pièces d'origine.
- Utilisez un tournevis cruciforme pour retirer le couvercle arrière de la machine et retirez les balais de charbon usés, puis appuyez sur le ressort du disque avant de le recouvrir à nouveau.



Dimensions autorisées des pièces à découper

Dimensions maximales des pièces à découper :

Angle d'onglet / biseau		
Forme de la pièce	0°	45°
	Ø100 (4")	Ø100 (3-1/8")
	100x100mm (4" x 4")	75x75mm (3" x 3")
	160x100mm (6-1/4" x 4")	80x75mm (3-1/8" x 3")
	120x100mm (4-3/4" x 4")	75x75mm (3" x 3")

Dimensions minimales des pièces à couper

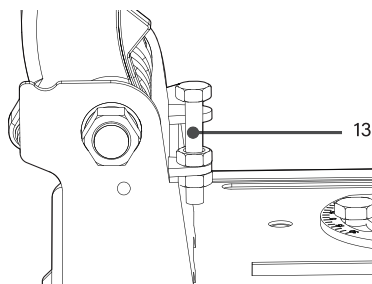
(= toutes les pièces qui peuvent être serrées via la broche de serrage 7) : Longueur 80 mm

Réglage de la butée de profondeur

À la livraison, la butée de profondeur de la machine 13 est réglée de manière à ce qu'un nouveau disque de coupe de 355 mm ne touche pas le socle lors de la coupe.

Pour compenser l'usure du disque de coupe, la butée de profondeur peut être réglée plus profondément.

Lorsque vous utilisez un nouveau disque de coupe, la butée de profondeur doit alors toujours être ramenée à la position d'origine.



Réglez toujours la butée de profondeur de manière à ce que le disque de coupe ne touche pas le socle lors de la coupe.

- Placez l'outil électrique en position de fonctionnement. (voir « Déverrouillage de la machine (Position de fonctionnement) »).
- Desserrez l'écrou de verrouillage 22.
- Basculez le bras de l'outil avec la poignée 2 dans la position demandée.
- Vissez la butée de profondeur 13.
- Déplacez lentement le bras de l'outil vers le haut et serrez l'écrou de verrouillage 22.

Transport

- Transportez toujours l'outil électrique par sa poignée de transport 15.

L'outil électrique doit toujours être transporté par deux personnes afin d'éviter les blessures au dos.

Lors du transport de l'outil électrique, portez-le uniquement par les dispositifs de transport et n'utilisez jamais les dispositifs de protection.

Entretien et service

1 Entretien et nettoyage

Avant toute intervention sur la machine, débranchez la fiche secteur.

Pour travailler sans risques et correctement, la machine et les fentes de ventilation doivent toujours rester propres.

Dans des conditions extrêmes, utilisez toujours un système d'extraction de poussière autant que possible. Soufflez fréquemment sur les fentes de ventilation et installez un dispositif à courant résiduel (RCD). Lors du travail sur des métaux, des poussières conductrices peuvent se déposer à l'intérieur de l'outil électrique. L'isolation générale de l'outil électrique peut être altérée.

Faites effectuer les travaux d'entretien et de réparation uniquement par des spécialistes qualifiés. De cette manière, la sécurité de l'outil électrique sera maintenue.

Le protège-lame rétractable doit toujours pouvoir se déplacer librement et se rétracter automatiquement.

Par conséquent, la zone autour du protège-lame rétractable doit toujours être propre.

2 Accessoires

Disque de coupe (355 mm 14") Clé

Balais de charbon

3 Service après-vente et assistance à la clientèle

Notre service après-vente répond à vos questions concernant l'entretien et la réparation de votre produit ainsi que pour les pièces détachées.

Nos représentants du service à la clientèle peuvent répondre à vos questions concernant les applications possibles et le réglage du produit et les accessoires

Carte de garantie du produit

Chers utilisateurs:

Merci d'avoir acheté nos produits. Afin de garantir leur achat, les utilisateurs de nos produits peuvent contacter un distributeur local ou des centres de réparation spécifiés, munis de la facture et de la carte de garantie en cas de défaillance du produit due à de problèmes de qualité.

Notice de garantie:

1. Valide du _____ (jour, mois, année) au _____ (jour, mois, année) Si la panne survient dans le cadre d'une utilisation normale, notre société fournira une garantie gratuite, un remplacement de pièces et d'autres services en fonction de la panne.
2. Cette carte de garantie et la facture d'achat servent de bon de réparation pour le service après-vente fourni par notre société aux clients. La carte ne doit être renseignée qu'en remplissant le formulaire suivant et en apposant le sceau officiel du distributeur.
3. Dans l'un des cas suivants, le service de garantie gratuit sera annulé et des frais d'intervention seront demandés:
 - (1) Dépassement de la date d'expiration.
 - (2) Défaillance ou dommage causé par le non-respect des exigences du manuel du produit, un entretien ou un stockage inapproprié.
 - (3) Défaillance ou dommage causé par le démontage, la réparation ou la modification du produit sans l'autorisation de notre société.
 - (4) Panne de la machine ou dommage causé par un cas de force majeure.
 - (5) Accessoires consommables.

Cette carte est livrée avec le produit. Une carte pour une machine, pour vous assurer que vous pouvez profiter pleinement du droit au service de garantie gratuit fourni par l'entreprise. Veuillez conserver cette carte correctement. En cas de perte, elle ne sera pas remplacée.

Date d'achat : _____ (jour, mois, année)

Certificat de produit

Inspecteur:

01

Date de fabrication:

NINGBO DELI TOOLS CO., LTD.
No. 128 Chezhan West Road, Huangtan Town,
Ninghai County, Ningbo, Zhejiang, China
delitoolsglobal@nbdeli.com
www.delitoolsglobal.com
+86 574 87562689
MADE IN CHINA



Tronzadora

Número del artículo	DE-XQ355-2E
Entrada de potencia nominal	2400W
Tensión nominal	220-240V~
Frecuencia	50/60Hz
Velocidad sin carga	4000/min
Ángulo de rotación	±45°
Peso	15.5kg

Accesorio

- Llave
- Escobilla de carbón
- Disco de corte






Consulte el número del artículo en la placa de características de la máquina. Los nombres comerciales de cada máquina pueden variar.

Dimensiones de los discos de corte adecuados

Diámetro del disco de corte	355mm(14")
Espesor del disco de corte	3.5mm(1/8")
Diámetro del orificio de montaje	25.4mm(1")

Instrucciones originales

Símbolos en el manual de instrucciones y etiquetas en la máquina

	Debe leer el manual de instrucciones antes del uso.
	Lleve gafas protectoras, protección auditiva y máscara antipolvo.
	Los residuos de productos eléctricos no deben ser desechados con la basura doméstica. Recíclelos donde existan instalaciones. Pida consejo sobre reciclaje a las autoridades locales o a tiendas minoristas.
	Aviso de seguridad Use únicamente los accesorios respaldados por el fabricante.
	Lleve guantes de protección. Las cuchillas de corte están muy afiladas y pueden calentarse mucho durante el funcionamiento.

ADVERTENCIA GENERALES DE SEGURIDAD PARA HERRAMIENTAS ELÉCTRICAS

! **ADVERTENCIA** Lea con atención todas las advertencias, instrucciones, ilustraciones y especificaciones de seguridad proporcionadas con esta herramienta eléctrica. No seguir las instrucciones indicadas a continuación puede tener como resultado una descarga eléctrica, incendios y/o lesiones graves. **Guarde todas las advertencias e instrucciones para referencia futura.** El uso del término «herramienta eléctrica» en las advertencias de seguridad se refiere a herramientas eléctricas conectadas a la red (con cable) o a una batería (sin cable).

Seguridad del área de trabajo

1. **Mantenga el área de trabajo limpia y bien iluminada.** Las áreas abarrotadas u oscuras propician accidentes.
2. **No utilice la herramienta eléctrica en un entorno con peligro de explosión, en el que se encuentren combustibles líquidos, gases o material en polvo.** Las herramientas eléctricas generan chispas que pueden encender el polvo y los vapores inflamables.
3. **Mantenga a los niños y transeúntes alejados cuando utilice la herramienta eléctrica.** Las distracciones pueden hacerle perder el control de la máquina.

Seguridad eléctrica

1. **El enchufe de la herramienta eléctrica debe ser compatible con la toma de corriente. No modifique nunca el enchufe de ninguna forma. No utilice ningún enchufe adaptador con herramientas eléctricas con toma de tierra (conectadas a tierra).** Los enchufes no modificados y que se adaptan a las tomas de corriente reducirán el riesgo de descarga eléctrica.
2. **Evite el contacto del cuerpo con superficies conectadas a masa o tierra, por ejemplo, tuberías, radiadores, estufas y refrigeradores.** Si su cuerpo está puesto a masa o tierra existe

un mayor riesgo de que se produzca una descarga eléctrica.

3. **No exponga las herramientas eléctricas a condiciones húmedas o a lluvia.** El riesgo de recibir descargas eléctricas aumenta si penetra agua en la herramienta eléctrica.
4. **No haga mal uso del cable. Nunca use el cable para transportar o desenchufar la herramienta eléctrica o para tirar de ella. Mantenga el cable alejado del calor, de aceite y de piezas móviles o con bordes afilados.** Los cables dañados o enredados pueden aumentar el riesgo de descarga eléctrica.
5. **Cuando utilice la herramienta eléctrica en el exterior, use un cable alargador adecuado para uso en exterior.** El uso de un cable adecuado para uso en exterior reduce el riesgo de descarga eléctrica.
6. **Si no es posible evitar usar una herramienta eléctrica en condiciones de humedad, utilice una fuente de alimentación protegida por un interruptor diferencial (ID).** El uso de un ID reduce el riesgo de descarga eléctrica.

Seguridad personal

1. **Al utilizar una herramienta eléctrica, esté atento, concéntrese en lo que hace y use el sentido común. No utilice la herramienta eléctrica si está cansado o bajo los efectos del alcohol, drogas o medicamentos.** Un momento de distracción mientras se utiliza la herramienta eléctrica puede tener como resultado lesiones personales graves.
2. **Use equipo de protección individual. Lleve siempre protección ocular.** El uso de un equipo de protección adecuado como una mascarilla antipolvo, zapatos o protectores auditivos para las condiciones que lo requieran reducirá las lesiones personales.
3. **Evite un arranque involuntario. Asegurarse de que el interruptor está en posición de apagado antes de conectar la herramienta a la toma de corriente y/o al insertar el paquete de batería, al recogerla y al transportarla.** Transportar las herramientas eléctricas con el dedo apoyado sobre el interruptor o enchufar la herramienta eléctrica con el interruptor en la posición de encendido puede propiciar accidentes.
4. **Retire cualquier llave de ajuste o herramienta antes de encender la herramienta eléctrica.** Una herramienta

o llave colocada en una pieza giratoria de la herramienta eléctrica puede provocar lesiones personales.

5. **No se estire demasiado. Apoye bien los pies y mantenga el equilibrio en todo momento.** Esto mejorará el control de la herramienta eléctrica en situaciones imprevistas.
6. **Vestirse adecuadamente. No lleve ropa holgada ni joyas. Mantenga el pelo y la ropa alejados de las piezas móviles.** La ropa holgada, las joyas o el pelo largo pueden engancharse en las partes en movimiento.
7. **Si los dispositivos están provistos de conexión para sistemas de aspiración y recolección de polvo, asegúrese de que están conectados y se utilizan correctamente.** El uso de un colector de polvo puede reducir los peligros relacionados con el polvo.
8. **No deje que la familiaridad obtenida por el uso frecuente de la herramienta haga que se confíe o que ignore los principios de seguridad de la herramienta.** Una acción descuidada puede provocar lesiones graves en una fracción de segundos.

Uso y cuidado de la herramienta eléctrica

1. **No fuerce la herramienta eléctrica. Utilice la herramienta eléctrica correcta para el trabajo que tiene que realizar.** El trabajo se hace mejor y de forma más segura usando la herramienta eléctrica correcta con la velocidad para la que ha sido diseñada.
2. **No utilice la herramienta eléctrica si el interruptor no puede encenderla o apagarla.** Una herramienta que no pueda controlarse con el interruptor es peligrosa y debe repararse.
3. **Desconecte el enchufe de la toma de corriente y/o retire el paquete de baterías, si es desmontable, de la herramienta eléctrica antes de realizar cualquier ajuste, cambiar los accesorios o almacenar la herramienta.** Tales medidas preventivas de seguridad reducen el riesgo de arrancar la herramienta eléctrica accidentalmente.
4. **Almacene las herramientas que no utiliza fuera del alcance de los niños y no permita que las personas no familiarizadas con la herramienta eléctrica o estas instrucciones la utilicen.** Las herramientas son peligrosas en

manos de personas inexpertas.

5. **Realice mantenimiento en las herramientas eléctricas y los accesorios. Compruebe si las partes móviles están desalineadas o fijas, si no hay piezas rotas o cualquier otro problema que pueda afectar el rendimiento de la herramienta eléctrica. Si hay daños, repare la herramienta eléctrica antes de utilizarla.** Se ocasionan muchos accidentes por el mal mantenimiento de las herramientas eléctricas.
6. **Mantenga las herramientas de corte afiladas y limpias.** Las herramientas de corte con mantenimiento adecuado y con los bordes de corte afilados son menos propensas a trabarse y son más fáciles de controlar.
7. **Utilice la herramienta eléctrica, los accesorios y las puntas de herramienta, etc. de acuerdo con estas instrucciones, teniendo en cuenta las condiciones de trabajo y el trabajo que se vaya a realizar.** La utilización de la herramienta eléctrica para trabajos para los que no ha sido concebida puede dar lugar a situaciones de peligro.
8. **Mantenga los mangos y las superficies de agarre secos, limpios y libres de aceite y grasa.** Los mangos y las superficies de agarre resbaladizas impiden manejar y controlar la herramienta eléctrica con seguridad en situaciones imprevistas.

Mantenimiento

1. **El mantenimiento debe ser realizado por el personal de reparación cualificado utilizando solo repuestos idénticos.** Esto garantizará que se mantenga la seguridad de la herramienta eléctrica.

Advertencias sobre seguridad adicionales

Instrucciones de seguridad para tronadoras

Advertencias de seguridad para tronadoras

1. **Póngase usted y los transeúntes alejados del plano del disco giratorio.** El protector ayuda a proteger al operario frente a los fragmentos de disco que se rompen y el contacto accidental con el disco.
2. **Utilice únicamente discos de corte reforzados o de diamante para su herramienta eléctrica.** El simple hecho de que un accesorio encaje en la herramienta

eléctrica no garantiza un uso seguro.

3. **La velocidad nominal del accesorio debe ser, al menos, igual a la velocidad máxima indicada en la herramienta eléctrica.** Los accesorios que giran más rápido que la velocidad nominal pueden romperse y saltar en pedazos.
 4. **Los discos deben utilizarse únicamente para las aplicaciones recomendadas. Por ejemplo, no esmerile con el lateral de un disco de corte.** Los discos de corte abrasivos están pensados para esmerilado periférico, fuerzas laterales aplicadas a estos discos pueden provocar que se hagan añicos.
 5. **Utilice siempre rebordes de apriete no dañados y con el diámetro adecuados para los discos elegidos.** Un reborde adecuado soporta correctamente el disco reduciendo así el peligro de rotura.
 6. **El diámetro exterior y el espesor de los accesorios deben estar dentro del intervalo de la capacidad de la herramienta eléctrica.** Los accesorios de tamaño incorrecto no pueden protegerse ni controlarse adecuadamente.
 7. **El tamaño del eje de los discos y los rebordes deben encajar correctamente con el husillo de la herramienta eléctrica.** Los discos y los rebordes con orificios de eje que no coinciden con los accesorios de montaje de la herramienta eléctrica giran descentrados, vibran en exceso y pueden provocar la pérdida de control.
 8. **No utilice discos dañados. Antes de cada uso, inspeccione si los discos tienen grietas o roturas. Si la herramienta eléctrica o el disco se han caído, inspeccione si hay daños o instale un disco no dañado. Después de inspeccionar e instalar el disco, póngase usted y los transeúntes alejados del plano del accesorio giratorio y haga funcionar el disco a velocidad máxima sin carga durante un minuto.** Los discos dañados generalmente se romperán durante esta prueba.
 9. **Use equipo de protección individual dependiendo de la aplicación, utilice protector facial, gafas protectoras o gafas de seguridad. Según corresponda, utilice máscara antipolvo, protectores auditivos, guantes y delantal de taller para protegerse de los pequeños fragmentos abrasivos y de los fragmentos de la pieza de trabajo.**
10. **Asegúrese de que los transeúntes mantengan una distancia de seguridad respecto a su zona de trabajo. Cualquier persona que entre en la zona de trabajo debe utilizar el equipo de protección individual.** Los fragmentos de una pieza de trabajo o un disco roto pueden salir despedidos y causar daños más allá del área de operación inmediata.
 11. **Coloque el cable lejos del accesorio giratorio.** En caso de perder el control, el cable podría cortarse o enredarse con el Disco giratorio y arrastrar su mano o brazo hacia el mismo.
 12. **Limpie periódicamente las aberturas de ventilación de la herramienta eléctrica.** El ventilador del motor atraerá polvo dentro de la carcasa, y la acumulación excesiva de polvo metálico podría producir peligros eléctricos.
 13. **No utilice la herramienta eléctrica cerca de materiales inflamables. No utilice la herramienta eléctrica colocada sobre una superficie combustible como la madera.** Las chispas podrían quemar dichos materiales.
 14. **No utilice accesorios que requieran refrigerantes líquidos.** El uso de agua u otro refrigerante líquido podría provocar descarga eléctrica o electrocución.

Contragolpe y advertencias relacionadas

El contragolpe es una reacción repentina debida a un pellizco o atascamiento del disco giratorio. El pellizco o atascamiento provoca una parada rápida del disco giratorio que, a su vez, hace que la **unidad de corte** no controlada se fuerce hacia arriba en dirección del operador. Por ejemplo, si la pieza de trabajo atasca o pellizca el disco giratorio, el borde del disco que entra en el punto de pellizco puede clavarse en la superficie del material y provocar que el disco salte o un contragolpe. Los discos abrasivos también podrán romperse en estas condiciones. El contragolpe es el resultado de un mal uso de la herramienta eléctrica y/o de procedimientos o condiciones de funcionamiento incorrectos y puede evitarse tomando las precauciones necesarias que se proporcionan a continuación.

- 1. Mantenga la herramienta eléctrica bien agarrada y coloque el cuerpo y los brazos de forma que le permitan resistir las fuerzas del contragolpe.** Si se toman las precauciones adecuadas, el operador puede controlar las fuerzas de contragolpe.
- 2. No coloque su cuerpo delante del disco giratorio.** Si se produce un contragolpe, propulsará la unidad de corte hacia arriba en dirección del operador.
- 3. No instale una hoja de sierra de cadena para tallar madera ni un disco de diamante segmentado con un espacio periférico más grande de 10 mm, ni una hoja de sierra dentada.** Dichas cuchillas, a menudo, producen contragolpe y pérdida de control.
- 4. No «atasque» el disco de corte ni ejerza demasiada presión. No intente hacer cortes que excedan la profundidad de corte máxima recomendada.** La sobrecarga de esfuerzos sobre el disco aumenta la carga y la posibilidad de que el disco se tuerza o trabee durante el corte y se produzca un contragolpe o rotura del disco.
- 5. Cuando la hoja se atasque o se interrumpa un corte por cualquier razón, apague la herramienta y sujete la unidad de corte sin moverse hasta que la hoja se detenga por completo. No intente retirar el disco de corte durante el corte mientras el disco esté en movimiento, de lo contrario podría producirse un contragolpe.** Investigue y tome medidas correctivas para eliminar la causa de atoramiento del disco.
- 6. No reinicie el corte en la pieza de trabajo. Deje que el disco alcance la velocidad máxima y vuelva a introducirlo con cuidado en el corte.** El disco puede atascarse, desplazarse o retroceder bruscamente si se vuelve a encender la herramienta eléctrica en la pieza de trabajo.
- 7. Sujete cualquier pieza de trabajo de gran tamaño para reducir el riesgo de que el disco se pellizque o se produzca un contragolpe.** Las piezas de trabajo grandes tienden a doblarse por su propio peso. Se deben colocar soportes debajo de la pieza de trabajo, cerca de la línea de corte y del borde de la pieza de trabajo a ambos lados del disco.

Riesgos residuales

Incluso cuando se utiliza la herramienta eléctrica según lo prescrito, no es posible eliminar todos los factores de riesgo residuales. Los siguientes peligros pueden surgir en relación con la construcción y el diseño de la herramienta eléctrica:

1. Defectos de salud derivados de las emisiones de vibración si la herramienta eléctrica se utiliza durante un periodo de tiempo más largo o no se gestionan y mantienen debidamente.
2. Lesiones y daños materiales debido a accesorios rotos que salen disparados repentinamente.

¡Advertencia

Esta herramienta eléctrica produce un campo electromagnético durante su funcionamiento. Este campo puede interferir, en algunas circunstancias, con implantes médicos activos o pasivos. Para reducir el riesgo de lesiones graves o fatales, recomendamos a las personas con implantes médicos que consulten a su médico y al fabricante del implante médico antes de utilizar esta herramienta eléctrica.

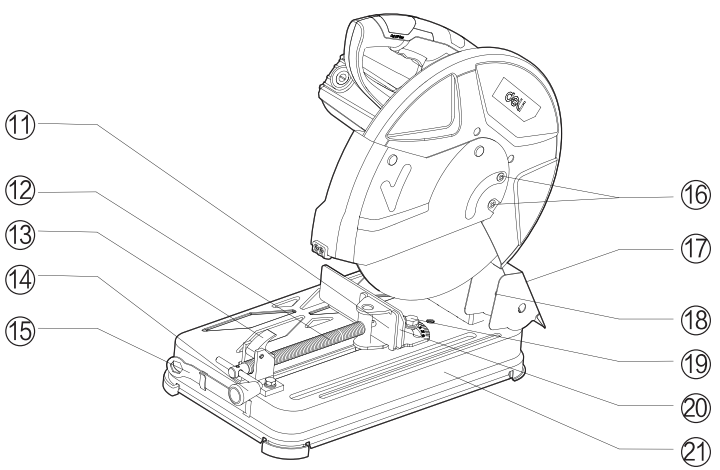
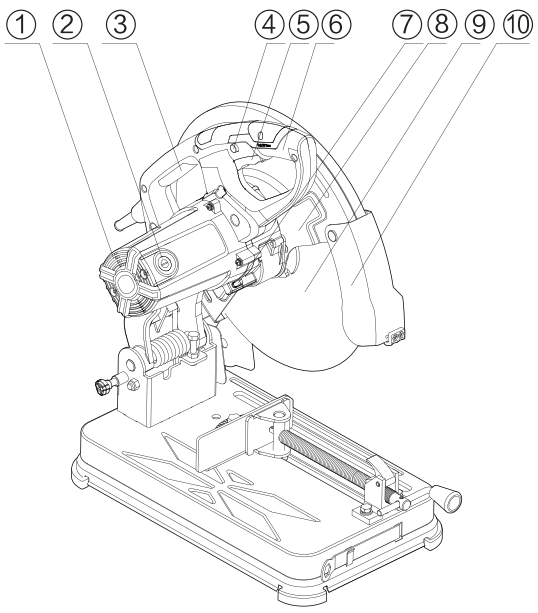
Uso previsto

La máquina está diseñada para uso estacionario con discos de corte para realizar cortes rectos longitudinales y transversales o cortes en inglete de 45° en materiales metálicos sin el uso de agua.

Características del Producto

La numeración de los componentes mostrados hace referencia a la representación de la herramienta eléctrica en las páginas gráficas.

1. Respiradero de aire
2. Cubierta de las escobillas de carbón
3. Empuñadura
4. Mando de bloqueo para el vástago del interruptor
5. Gatillo interruptor
6. Empuñadura
7. Mando de bloqueo para el vástago
8. Cubierta protectora fija
9. Disco de molienda
10. Cubierta protectora móvil
11. Placa de sujeción de la pieza de trabajo
12. Varilla de tornillo
13. Tuerca de sujeción
14. Empuñadura de varilla de tornillo
15. Llave
16. Tornillo
17. Protector contra viruta
18. Tornillo de ajuste
19. Perno
20. Bloque de tope ajustable
21. Base
22. Botón de límite de cabezal
23. Escobillas de carbón



Evite el arranque accidental de la máquina. Durante el montaje y todo el trabajo en la máquina, el cable de alimentación no debe estar conectado a la red eléctrica.

1 Volumen de suministro

Reitre con cuidado todas las piezas incluidas en la entrega de su embalaje.

Retire todo el material de embalaje de la máquina y los accesorios suministrados.

Antes de empezar a utilizar la máquina por primera vez, compruebe si se han suministrado todas las piezas enumeradas a continuación:

- Tronzadora con disco de corte montado
- Llave de anillo 23

Nota: Compruebe que la herramienta eléctrica no esté dañada.

Antes de seguir utilizando la máquina, compruebe que todos los dispositivos de protección son completamente funcionales. Cualquier pieza ligeramente dañada debe ser revisada cuidadosamente para garantizar un funcionamiento impecable de la herramienta. Todas las piezas deben montarse correctamente y todas las condiciones deben cumplirse para garantizar un funcionamiento sin fallos.

Los dispositivos de protección dañados y las piezas dañadas deben ser reemplazados inmediatamente por el centro de servicio autorizado.

2 Montaje flexible

En el caso excepcional de que no sea posible montar firmemente la herramienta eléctrica en un banco, puede colocar provisionalmente las patas de la base 10 en una superficie adecuada (p. ej., un banco de trabajo, suelo nivelado, etc.) sin asegurar la máquina.

3 Aspiración de polvo/virutas

Los polvos de materiales como pinturas que contengan plomo, ciertos tipos de madera, minerales y metal pueden ser perjudiciales para la salud. El contacto y la inhalación de los polvos puede provocar en el usuario o en los transeúntes reacciones alérgicas y/o enfermedades respiratorias.

Ciertos polvos, como el polvo de roble o de haya, se consideran cancerígeno, especialmente en combinación con los aditivos para el tratamiento de la madera (cromato, conservantes de la madera). Los materiales que contengan amianto solamente deberán ser procesados por especialistas.

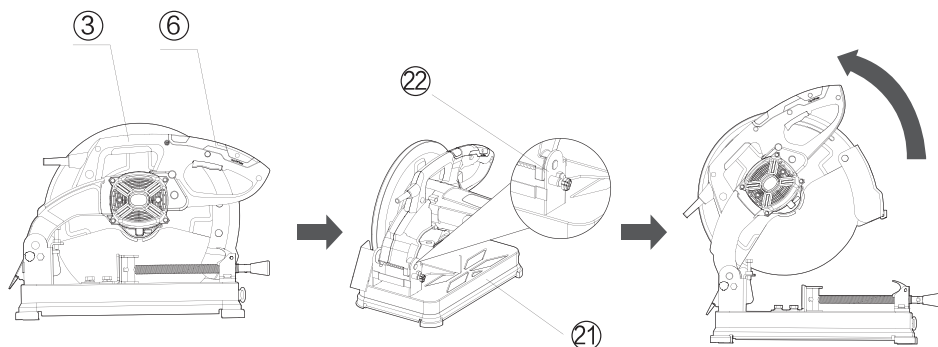
- Utilice siempre un equipo de aspiración de polvo.
 - Asegúrese de proporcionar una buena ventilación en el lugar de trabajo.
 - Se recomienda llevar una máscara con filtros P2.
- Observe las prescripciones vigentes en su país sobre los materiales a trabajar.

4 Instrucciones de funcionamiento, instrucciones de instalación de accesorios

⚠ Nota: Lea el manual de instrucciones antes del uso. Desenchufe siempre el cable de la toma de corriente al arreglar herramientas eléctricas y accesorios.

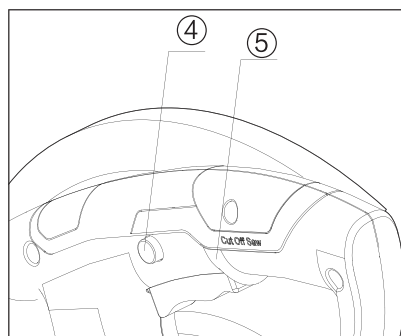
Funcionamiento del límite de cabezal

Cuando necesite fijar la herramienta, presione la empuñadura operativa hacia abajo e inserte el mando de límite de cabezal en el orificio de límite para fijar la herramienta. Cuando necesite usar la herramienta, tire del botón de límite de cabezal de máquina hacia fuera, eleve el cabezal de herramienta para restablecerlo, y luego estará preparado para su uso.



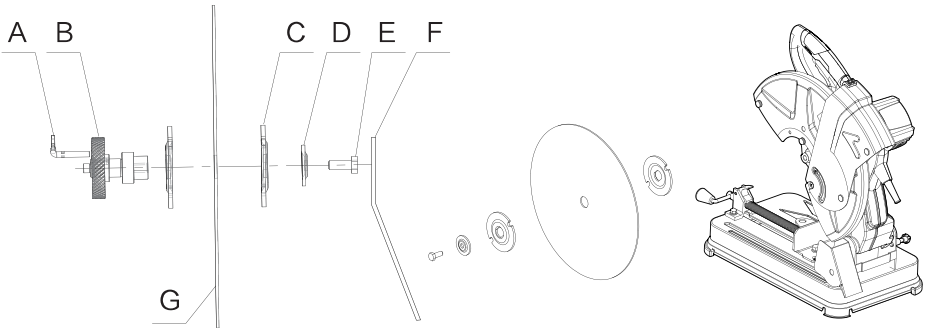
Funcionamiento del interruptor

Para iniciar esta herramienta, simplemente tire del gatillo interruptor. Suelte el gatillo interruptor de encendido/apagado para detener la rotación de la herramienta. Para hacer que la máquina rote continuamente, abra el gatillo de encendido/apagado y oprima el mando de bloqueo de encendido/apagado, luego tire del gatillo de encendido/apagado y suéltelo de nuevo para eliminar la rotación continua.



Método de desensamblar y ensamblar la muela abrasiva

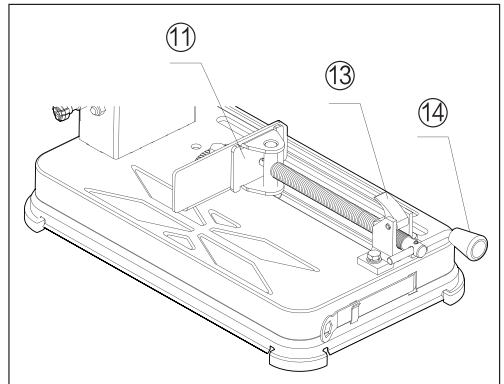
- Desensamblar el disco de molienda. Tras empujar el mando de bloqueo de vástago A con la mano izquierda adentro del orificio de la platina interior B como se especifica, afloje el perno E con la llave F para retirar el disco de molienda G.
- Instalar la muela abrasiva. Tras retirar el polvo de la placa de presión exterior C, la junta D y el perno E, instale la muela abrasiva G. Luego instale la placa de presión exterior C, la junta D, y el perno E en secuencia. Finalmente, agarre la muela abrasiva G con la mano y bloquee el perno E con una llave F. Debe verificar que el pasador de tope A se restaure a su posición inicial tras la instalación.



Método para fijar las piezas de trabajo

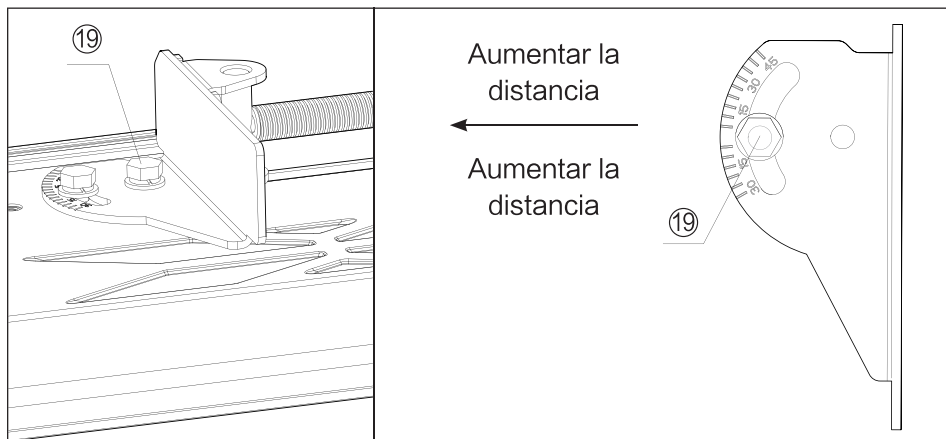
Afloje la pieza de trabajo: gire la empuñadura de tornillo en sentido antihorario para aflojar las roscas, luego empuje la tuerca de sujeción hacia la empuñadura de tornillo y tire rápidamente de nuevo del tornillo para retirar la pieza de trabajo.

Sujeción de la pieza de trabajo: empuje el tornillo hacia delante a la placa de presión de pieza de trabajo contra la pieza de trabajo sujeta, luego empuje la tuerca de sujeción hacia delante de modo que no entre en contacto con las roscas de tornillo, y finalmente gire la empuñadura de tornillo en sentido horario para fijar la pieza de trabajo.



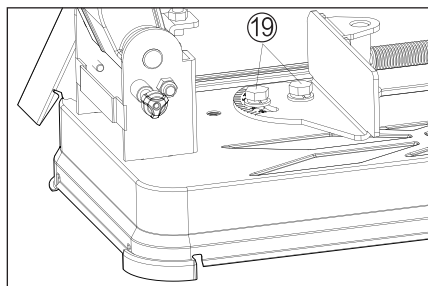
Nota: Ajuste el espacio o espaciamento como se muestra en la figura izquierda si la pieza de trabajo en procesamiento requiere más espacio (ver la figura izquierda).

- Retire los dos pernos que aseguran la placa de soporte de pieza de trabajo y recolóquelos como se muestra en la figura de la derecha.
- Luego reinstale el perno para asegurarla.



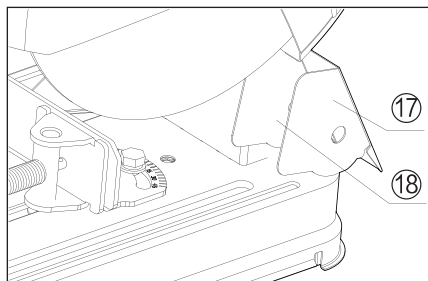
Método para establecer el ángulo de corte

Para cambiar el ángulo de corte, afloje los dos pernos que fijan la placa de soporte de pieza de trabajo, rote la placa de soporte de pieza de trabajo al ángulo que desee, y luego apriete los pernos.



Método de ajuste del protector contra viruta

El portaherramientas se equipa con protector contra viruta. El ángulo de la cubierta se puede ajustar aflojando los tornillos según sea necesario para impedir que vuelen chispas alrededor.



5 Mantenimiento, asistencia y contactos posventa

Reparación y mantenimiento

Periodo de sustitución para muelas abrasivas

El desgaste y la rotura de las muelas abrasivas pueden impactar en la eficiencia del trabajo. Sustitúyalas de inmediato por unas nuevas. Antes de usar, inspeccione cuidadosamente la muela abrasiva por si tiene grietas y deformaciones. Sustituya de inmediato si la encuentra dañada.

Inspeccione los tornillos que conectan diversas piezas.

Las diversas piezas deben someterse regularmente a inspecciones para detectar tornillos flojos. Si hay alguno flojo, debe apretarse de inmediato. Usar tornillos flojos puede provocar un peligro fácilmente.

Almacenamiento tras el funcionamiento

Después del uso, desenchufe el enchufe de alimentación y guárdelo en un lugar inaccesible para los niños.

Quitar el polvo

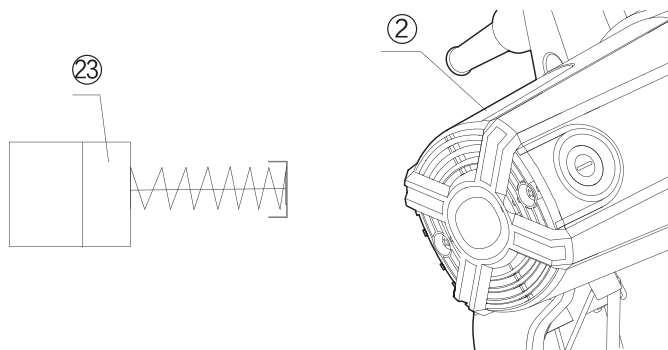
La máquina se debe limpiar después del uso para evitar que la suciedad entre en el motor y provoque daños.

Compruebe y sustituya regularmente las escobillas de carbón.

Tras un uso prolongado, las escobillas de carbón se acortan. Sustitúyalas cuando alcancen una longitud de aproximadamente 5 a 6 mm para evitar daños a la máquina.

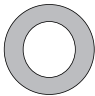
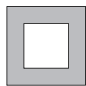

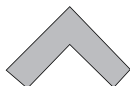
Procedimiento de sustitución de las escobillas de carbón:

- Inspeccione y sustituya regularmente las escobillas de carbón desgastadas, manteniéndolas limpias y que deslicen libremente dentro del portaescobillas. Sustituya ambas inmediatamente por accesorios originales.
- Use un destornillador de estrella para retirar la cubierta trasera de la máquina y retire las escobillas de carbón desgastadas, y luego presione hacia atrás el resorte de disco antes de cubrirlo de nuevo.



Dimensiones permitidas de la pieza de trabajo

Tamaño máximo de la pieza de trabajo:

Ángulo de inglete/bisel		
Forma de la pieza de trabajo	0°	45°
	Ø100 (4")	Ø100 (3-1/8")
	100x100mm (4" x 4")	75x75mm (3" x 3")
	160x100mm (6-1/4" x 4")	80x75mm (3-1/8" x 3")
	120x100mm (4-3/4" x 4")	75x75mm (3" x 3")

mínimo de la pieza de trabajo

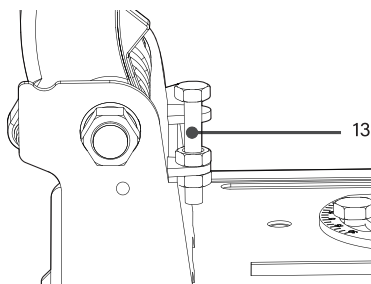
(= todas las piezas de trabajo que se pueden sujetar con el husillo de sujeción 7) : Longitud 80 mm

Ajuste del tope de profundidad

En el estado de entrega de la máquina, el tope de profundidad 13 está ajustado de tal manera que el nuevo disco de 355 mm no toca la base al cortar.

Para compensar el desgaste del disco de corte, el tope de profundidad se puede ajustar más profundo.

Al usar un nuevo disco de corte, el tope de profundidad debe ajustarse de nuevo a la posición original.



Ajuste siempre el tope de profundidad de tal manera que el corte de disco no toque la base al cortar.

- Ponga la herramienta eléctrica en la posición de trabajo (véase «Desbloqueo de la máquina (posición de trabajo)»).
- Afloje la tuerca de bloqueo 22.
- Oscile el brazo de la herramienta con la empuñadura 2 a la posición deseada.
- Enrosque el tope de profundidad 13.
- Suba lentamente el brazo de la herramienta y apriete la tuerca de bloqueo 22.

Transporte

- Transporte siempre la herramienta eléctrica por su asa de transporte 15.

La herramienta eléctrica siempre debe ser transportada por dos personas para evitar lesiones en la espalda.

Cuando se transporte la herramienta eléctrica, utilice únicamente el dispositivo de transporte y nunca utilice el dispositivo de protección.

Mantenimiento y reparación

1 Mantenimiento y limpieza

Antes de cualquier manipulación en la herramienta eléctrica, desconecte el enchufe.

Para un trabajo seguro y adecuado, mantenga siempre limpias la máquina y las ranuras de ventilación.

En situaciones extremas, utilice siempre un equipo de aspiración de polvo en la medida de lo posible. Limpie frecuentemente las ranuras de ventilación mediante soplado e instale un interruptor diferencial (ID). Cuando se trabajen metales, el polvo conductor puede acumularse en el interior de la herramienta eléctrica. Ello puede mermar la eficacia del aislamiento de la herramienta eléctrica.

El mantenimiento y la reparación deben ser realizados únicamente por especialistas cualificados. De esta manera, se garantizará que se mantiene la seguridad de la herramienta eléctrica. La protección retráctil siempre debe poder moverse libremente y retraerse automáticamente. Por lo tanto, mantenga siempre el área alrededor de la protección retráctil limpia.

2 Accesorios

Disco de corte (355 mm 14") Llave

Escobillas de carbón

3 Servicio de posventa y atención al cliente

Nuestro servicio de posventa responde a todas sus preguntas sobre el mantenimiento y reparación de su producto así como sobre piezas de recambio.

Nuestros representantes de servicio al cliente pueden responder a sus preguntas sobre posibles aplicaciones y ajustes de los productos y accesorios.

Tarjeta de garantía del producto

Estimados usuarios:

Gracias por comprar nuestros productos. Con el fin de garantizar su beneficio, los usuarios que compran nuestros productos pueden ponerse en contacto con el distribuidor local o las estaciones de reparación especificadas con factura(s) y tarjeta(s) de garantía si el producto falla debido a problemas de calidad.

Aviso de garantía:

1. De _____ (Año/Mes/Día) a _____ (Año/Mes/Día), Si la falla ocurre durante el uso normal, nuestra compañía ofrecerá garantía gratuita, reemplazo de piezas y otros servicios de acuerdo con la situación de la falla.
2. Esta tarjeta de garantía y la factura de compra son el comprobante del servicio posventa proporcionado por nuestra empresa a los clientes. La tarjeta debe detallarse solo después de completar el siguiente formulario y colocar el sello oficial del distribuidor.
3. En los siguientes casos, el servicio de garantía gratuito no será válido y se exigirán tarifas de mantenimiento:
 - (1) Exceder la fecha de vencimiento.
 - (2) Fallo o daño causado por no seguir los requisitos del manual del producto o un mantenimiento o almacenamiento inadecuados.
 - (3) Fallo o daño causado por el desmontaje, la reparación o la modificación del producto sin el permiso de nuestra empresa.
 - (4) Avería de la máquina o daños causados por fuerza mayor.
 - (5) Accesorios consumibles.

Esta tarjeta se emite con el producto. Una tarjeta por máquina; para garantizar que pueda disfrutar plenamente del derecho al servicio de garantía gratuito proporcionado por la empresa, guarde esta tarjeta debidamente, la pérdida no será reemplazada.

Fecha de compra: _____ (Año/Mes/Día)

Certificado de producto

Inspector:

01

Fecha de fabricación:

NINGBO DELI TOOLS CO., LTD.
No. 128 Chezhan West Road, Huangtan Town,
Ninghai County, Ningbo, Zhejiang, China
delitoolsglobal@nbdeli.com
www.delitoolsglobal.com
+86 574 87562689
MADE IN CHINA



Retificadora de corte

Número do artigo	DE-XQ355-2E
Potência nominal de entrada	2400W
Tensão nominal	220-240V~
Frequência	50/60Hz
Velocidade sem carga	4000/min
Ângulo de rotação	±45°
Peso	15.5kg

Acessório

- Chave escova
- de carvão
- Disco de corte






Observe o número do artigo na placa de identificação da sua máquina. As designações comerciais das máquinas individuais podem variar.

Dimensões dos discos de corte adequados

Diâmetro do disco de corte	355mm(14")
Espessura do disco de corte	3.5mm(1/8")
Diâmetro do furo de montagem	25.4mm(1")

Instruções originais

Os símbolos no manual de instruções e a etiqueta na ferramenta

	Leia o manual de instruções antes de utilizar.
	Use óculos de proteção, proteção auditiva e máscara anti poeiras.
	Os resíduos de produtos elétricos não devem ser eliminados juntamente com o lixo doméstico. Recicle nos locais onde existem instalações para o efeito. Consulte a autoridade local ou o retalhista para obter conselhos sobre reciclagem.
	Alerta de segurança. Utilize apenas os acessórios suportados pelo fabricante.
	Use luvas de proteção. As lâminas de corte são muito afiadas e podem ficar muito quentes durante o funcionamento.

AVISOS GERAIS DE SEGURANÇA PARA FERRAMENTAS ELÉTRICAS

! **AVISO:** Leia todos os avisos de segurança, instruções, ilustrações e especificações fornecidas com esta ferramenta elétrica. O não cumprimento de todas as instruções listadas abaixo pode resultar em choque elétrico, incêndio e/ou ferimentos graves.

Guarde todos os avisos e instruções para consulta futura.

O termo "ferramenta elétrica" nos avisos refere-se à sua ferramenta elétrica, acionada a partir da rede elétrica (com fio) ou à ferramenta elétrica acionada por bateria (sem fio).

Segurança da área de trabalho

1. **Mantenha a área de trabalho limpa e bem iluminada.** Áreas desorganizadas ou escuras proporcionam acidentes.
2. **Não opere ferramentas elétricas em atmosferas explosivas, tais como na presença de líquidos inflamáveis, gases ou poeiras.** As ferramentas elétricas criam faíscas que podem incendiar as poeiras e/ou os fumos.
3. **Mantenha as crianças e todas as pessoas presentes afastadas ao trabalhar com uma ferramenta elétrica.**
As distrações podem causar a perda de controlo.

Segurança elétrica

1. **As fichas das ferramentas elétricas devem corresponder à tomada. Nunca modifique a ficha de forma alguma. Não utilize fichas adaptadoras com ferramentas elétricas com ligação de terra.** Fichas sem alterações e as tomadas correspondentes reduzirão o risco de choque elétrico.
2. **Evite o contacto do corpo com superfícies ligadas à terra ou em contacto com a terra, tais como tubos, radiadores, grelhas e frigoríficos.**
Existe um risco acrescido de choque elétrico se o seu corpo estiver ligado à terra.
3. **Não exponha ferramentas elétricas a condições de chuva ou humidade.** A entrada de água numa ferramenta elétrica irá aumentar o risco de choque elétrico.

4. **Não maltrate o cabo. Nunca utilize o cabo para transportar, puxar ou desligar a ferramenta elétrica. Mantenha o cabo afastado de fontes de calor, óleo, arestas afiadas ou peças móveis.** Os cabos danificados ou enredados aumentam o risco de choque elétrico.
5. **Quando utilizar uma ferramenta elétrica no exterior, utilize um cabo de extensão adequado para utilização no exterior.**
A utilização de um cabo adequado para o exterior reduz o risco de choque elétrico.
6. **Se for inevitável operar uma ferramenta elétrica num local húmido, utilize um disjuntor diferencial (DCR) para ter uma alimentação protegida.** A utilização de um disjuntor diferencial residual (DCR) reduz o risco de choque elétrico.

Segurança pessoal

1. **Fique atento, observe o que está a fazer e use o bom senso ao operar uma ferramenta elétrica. Não utilize uma ferramenta elétrica quando estiver cansado ou sob a influência de drogas, álcool ou medicamentos.** Um momento de desatenção durante a utilização de uma ferramenta elétrica pode resultar em sérios danos pessoais.
2. **Utilize equipamento de proteção individual. Use sempre equipamento de proteção para os olhos.** O equipamento de proteção, como uma máscara de proteção contra poeiras, sapatos de segurança antiderrapantes, capacete ou proteção auditiva utilizados em condições apropriadas, reduzirá os ferimentos pessoais.
3. **Evite os arranques involuntários. Assure-se de que o interruptor está na posição de desligado antes de ligar à fonte de alimentação e/ou bateria e antes de pegar ou transportar a ferramenta.** Transportar ferramentas elétricas com o dedo no interruptor ou ligar a energia de ferramentas elétricas que tenham o interruptor ligado convida a acidentes.
4. **Remova qualquer chave ou chave de ajuste antes de ligar a ferramenta elétrica.** Uma chave ou uma chave de ajuste deixada presa a uma parte rotativa da ferramenta elétrica pode resultar em ferimentos pessoais.
5. **Não tente alcançar mais longe do que consegue. Mantenha sempre os pés bem assentes e o equilíbrio adequado.** Isto permite um melhor controlo da ferramenta elétrica em situações inesperadas.

6. **Vista-se adequadamente. Não use roupa solta ou joias. Mantenha o cabelo e a roupa afastados de peças móveis.** Roupas soltas, joias ou cabelo comprido podem ser apanhados por peças em movimento.
7. **Se forem fornecidos dispositivos para a ligação de instalações de extração e recolha de poeiras, certifique-se de que estes estão ligados e são devidamente utilizados.** A utilização de dispositivos de recolha de poeira pode reduzir os perigos relacionados com a mesma.
8. **Não deixe que a familiaridade adquirida com o uso frequente de ferramentas faça com que se torne complacente e ignore os princípios de segurança das ferramentas.** Uma ação descuidada pode causar lesões graves numa fração de segundo.

Utilização e cuidados a ter com ferramentas elétricas

1. **a) Não force a ferramenta elétrica. Utilize a ferramenta elétrica correta para a sua aplicação.** A ferramenta elétrica correta fará o trabalho melhor e de forma mais segura ao ritmo para o qual foi concebida.
2. **Não utilize a ferramenta elétrica se o interruptor não a conseguir ligar e desligar.** Qualquer ferramenta elétrica que não possa ser controlada através do interruptor é perigosa e deve ser reparada.
3. **Desligue a ficha da fonte de alimentação e/ou remova a bateria da ferramenta elétrica, se esta for destacável, antes de fazer quaisquer ajustes, trocar acessórios ou guardar as ferramentas elétricas.** Essas medidas de segurança preventivas reduzem o risco de ligar a ferramenta elétrica acidentalmente.
4. **Guarde as ferramentas elétricas inativas fora do alcance das crianças e não permita que pessoas não familiarizadas com elas ou com estas instruções as utilizem.** As ferramentas elétricas são perigosas nas mãos de utilizadores sem formação.
5. **Manutenção das ferramentas elétricas e acessórios. Verifique se há desalinhamento de peças móveis ou se estas estão bloqueadas, se existem peças partidas e qualquer outra situação que possa afetar o funcionamento da ferramenta elétrica. Se estiver danificada, entregue a ferramenta elétrica para ser reparada**

antes de a utilizar. Muitos acidentes são provocados por ferramentas elétricas com falta de manutenção.

6. **Mantenha as ferramentas de corte afiadas e limpas.** As ferramentas de corte com arestas cortantes afiadas com manutenção adequada têm menos probabilidades de ficarem bloqueadas e são mais fáceis de controlar.
7. **Utilize a ferramenta elétrica, acessórios e peças da ferramenta, etc., de acordo com estas instruções, tendo em conta as condições específicas e o trabalho a ser realizado.** A utilização da ferramenta elétrica para operações diferentes daquelas para as quais foi concebida pode resultar numa situação perigosa.
8. **Mantenha as pegas e as superfícies para agarrar secas, limpas e isentas de óleo e gordura.** As pegas e as superfícies para agarrar escorregadias não permitem um manuseamento e controlo seguros da ferramenta em situações inesperadas.

Serviço de assistência

1. **Faça a manutenção da sua ferramenta elétrica por um técnico de reparação qualificado, utilizando apenas peças de substituição idênticas.** Isto garantirá que a segurança da ferramenta elétrica é mantida.

Avisos de segurança adicionais

Instruções de segurança para máquinas de corte

Avisos de segurança da máquina de corte

1. **Posicione-se a si próprio e às pessoas que se encontrem nas proximidades afastados do plano da roda em rotação.** O resguardo ajuda a proteger o operador de fragmentos de roda partidos e do contacto accidental com a roda.
2. **Utilize apenas discos de corte reforçados com ligas ou diamantados para a sua ferramenta elétrica.** Só porque um acessório pode ser ligado à sua ferramenta elétrica, isso não garante um funcionamento seguro.
3. **A velocidade nominal do acessório deve ser, pelo menos, igual à velocidade máxima marcada na ferramenta elétrica.** Os acessórios que funcionem mais depressa do que as suas

- velocidades nominais podem partir-se e voar.
4. **As rodas devem ser utilizadas apenas para aplicações recomendadas. Por exemplo: não esmerile com a parte lateral de uma roda de corte.** Os discos de corte abrasivos destinam-se à retificação periférica e as forças laterais aplicadas a estes discos podem causar o seu estilhaçamento.
 5. **Utilize sempre flanges de rodas não danificadas, com o diâmetro correto para a sua roda selecionada.** Flanges adequadas das rodas suportam a roda, reduzindo assim a possibilidade de quebra da mesma.
 6. **O diâmetro exterior e a espessura do seu acessório devem estar dentro da capacidade nominal da sua ferramenta elétrica.** Acessórios de dimensões incorretas não podem ser adequadamente guardados ou controlados.
 7. **A dimensão do mandril dos discos e flanges deve adaptar-se corretamente ao mandril da ferramenta elétrica.** Rodas e flanges com orifícios para mandrils que não correspondem aos encaixes de montagem da ferramenta elétrica ficarão em desequilíbrio, vibrarão excessivamente e poderão causar perda de controlo.
 8. **Não utilize rodas danificadas. Antes de cada utilização, verifique se as rodas apresentam lascas ou fissuras. Se uma ferramenta elétrica ou a roda forem deixadas cair, inspecione para detetar danos ou instale uma roda não danificada. Depois de inspecionar e instalar a roda, posicione-se a si e aos presentes afastados do plano da roda e ponha a ferramenta elétrica a funcionar à velocidade máxima sem carga durante um minuto.** As rodas danificadas irão normalmente partir-se durante este tempo de teste.
 9. **Use equipamento de proteção pessoal. Dependendo da aplicação, use proteção facial, óculos ou viseira de proteção. Se for o caso, use máscara de pó, protetores auditivos, luvas e avental de oficina capazes de travar pequenos fragmentos abrasivos ou das peças de trabalho.** A proteção dos olhos deve ser capaz de deter detritos voadores gerados por vários tipos de operações. A máscara de pó ou respirador deve ser capaz de filtrar partículas geradas pela sua operação. A exposição prolongada a ruídos de alta intensidade pode causar perda de audição.
 10. **Mantenha os presentes a uma distância segura da área de trabalho. Qualquer pessoa que entre na área de**

trabalho deve usar equipamento de proteção pessoal. Fragmentos da peça de trabalho ou de uma roda partida podem voar para longe e causar lesões para além da área de operação imediata.

11. **Posicione o cabo afastado do acessório giratório.** Se perder o controlo, o cabo pode ser cortado ou ficar preso e a sua mão ou braço podem ser puxados para dentro da roda giratória.
12. **Limpe regularmente as aberturas de ventilação da ferramenta elétrica.** A ventoinha do motor pode atrair a poeira para o interior da caixa e a acumulação excessiva de poeiras de metal pode causar riscos elétricos.
13. **Não acione a ferramenta elétrica perto de materiais inflamáveis. Não utilize a ferramenta elétrica se estiver colocada sobre uma superfície combustível, como a madeira.** As faíscas podem provocar a ignição destes materiais.
14. **Não utilize acessórios que necessitem de líquidos de refrigeração.** A utilização de água ou outros líquidos de refrigeração pode resultar em eletrocussão ou choque.

Perigo de retorno violento e avisos relacionados

O ricochete é uma reação súbita a uma roda giratória presa ou entalada. O bloqueio ou o encravamento provoca uma paragem rápida da roda rotativa que, por sua vez, faz com que a **unidade de corte** descontrolada seja forçada para cima em direção ao operador. Por exemplo, se uma roda abrasiva for agarrada ou ficar presa pela peça, a borda da roda que está a entrar no ponto de aperto pode cavar na superfície do material, fazendo com que a roda suba ou ressalte para fora. As rodas abrasivas também podem partir-se nestas condições. O retorno violento é resultado de uma má utilização da ferramenta elétrica e/ou de procedimentos ou condições de funcionamento incorretos e pode ser evitado tomando as devidas precauções, como indicado abaixo.

1. **Mantenha a ferramenta firmemente agarrada e posicione o corpo e os braços de forma a permitirem-lhe resistir às forças de propulsão.** O operador pode controlar as forças de ricochete no sentido ascendente, se forem tomadas as devidas precauções.
2. **Não posicione o corpo em linha com a roda giratória.** Se ocorrer um ricochete inesperado, este impulsiona o equipamento de corte para cima, na direção do operador.
3. **Não fixe uma lâmina de motosserra para madeira, uma roda de diamante**

segmentada com um espaço periférico superior a 10 mm ou uma lâmina de serra dentada. Tais lâminas criam situações frequentes de retorno violento e perdas de controlo.

4. **Não “encrave” a roda nem exerça uma pressão excessiva. Não tente efetuar um corte excessivamente profundo.** O esforço excessivo da roda aumenta a carga e a suscetibilidade de torção ou de bloqueio da roda no corte e a possibilidade de retrocesso violento ou de quebra da roda.
5. **Se a roda estiver a emperrar ou se interromper um corte por qualquer motivo, desligue a ferramenta elétrica e mantenha a unidade de corte imóvel até que a roda pare completamente.** Nunca tente retirar a roda do corte enquanto estiver em movimento, pois poderá ocorrer um ricochete. Investigue e tome medidas corretivas para eliminar a causa do bloqueio das rodas.
6. **Não retome a operação de corte na peça de trabalho. Deixe a roda atingir a velocidade máxima e volte a entrar cuidadosamente no corte.** A roda pode entortar, subir ou ricochetear se a ferramenta elétrica for novamente colocada na peça de trabalho.
7. **Apoie qualquer peça de trabalho de grandes dimensões para minimizar o risco de prensão da roda e de retrocesso violento.** As peças de trabalho de grandes dimensões têm tendência a ceder devido ao seu próprio peso. Os suportes devem ser colocados sob a peça de trabalho perto da linha de corte e perto da borda da peça de trabalho em ambos os lados da roda.

Riscos residuais

Mesmo quando a ferramenta elétrica é utilizada conforme prescrito, não é possível eliminar todos os fatores de risco residuais. Os seguintes perigos podem estar relacionados com a construção e o design da ferramenta elétrica:

1. Problemas de saúde resultantes da emissão de vibrações se a ferramenta elétrica for utilizada durante um longo período de tempo ou se não for gerida e mantida de forma adequada.
2. Ferimentos e danos materiais devido a acessórios partidos que são subitamente destruídos.

Aviso

Esta ferramenta elétrica produz um campo eletromagnético durante o funcionamento. Este campo pode, em determinadas circunstâncias, interferir com implantes médicos ativos ou passivos. Para reduzir o risco de ferimentos graves ou mortais, recomendamos que as pessoas com implantes médicos consultem o seu médico e o fabricante do implante antes de utilizarem esta ferramenta elétrica.

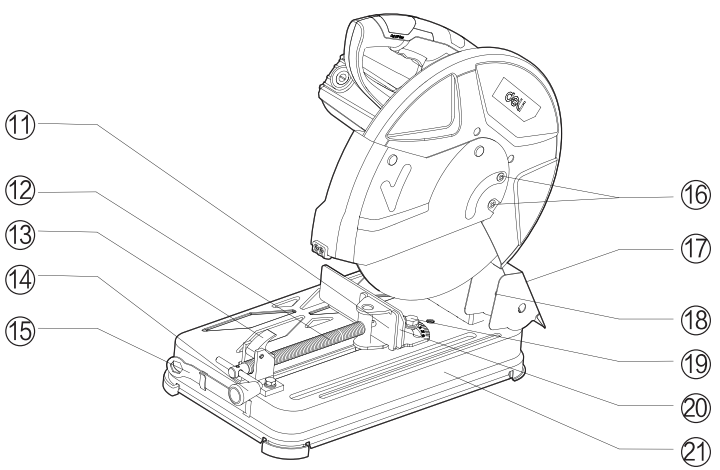
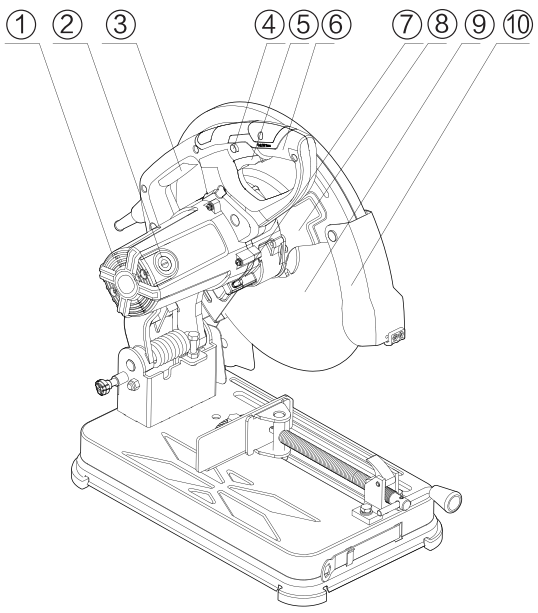
Utilização prevista

A máquina destina-se a ser utilizada de forma estacionária com discos de corte para efetuar cortes retos longitudinais e transversais ou cortes em esquadria a 45° em materiais metálicos sem a utilização de água.

Características do produto

A numeração dos componentes indicados refere-se à representação da ferramenta elétrica nas páginas ilustradas.

1. Ventilação de ar
2. Cobertura da escova de carvão
3. Pega
4. Botão do bloqueio do veio do interruptor
5. Interruptor
6. Pega
7. Botão de bloqueio para veio
8. Cobertura de proteção fixa
9. Disco abrasivo
10. Cobertura de proteção amovível
11. Placa de aperto da peça de trabalho
12. Haste do parafuso
13. Porca de aperto
14. Pega da haste do parafuso
15. Chave inglesa
16. Parafuso
17. Proteção contra fragmentos
18. Parafuso de ajuste
19. Cavilha
20. Bloqueio de batente ajustável
21. Base
22. Botão de limite da cabeça
23. Escova de carvão



Montagem

Evitar um arranque involuntário da máquina. Durante a montagem e durante todos e quaisquer trabalhos realizados na máquina, a ficha de alimentação não deve ser ligada à rede elétrica.

1 Após a entrega

Retire cuidadosamente da embalagem todas as peças incluídas na entrega.

Retire todo o material de embalagem da máquina e dos acessórios fornecidos.

Antes de iniciar o funcionamento da máquina pela primeira vez, verifique se todas as peças listadas abaixo foram fornecidas:

- Retificadora de corte com disco de corte montado
- Chave de bocas 23

Nota: Verifique se a ferramenta elétrica apresenta possíveis danos.

Antes de continuar a utilizar a máquina, verifique se todos os dispositivos de proteção estão totalmente funcionais. Quaisquer peças ligeiramente danificadas devem ser cuidadosamente verificadas para garantir um funcionamento perfeito da ferramenta. Todas as peças devem estar corretamente montadas e todas as condições devem ser cumpridas para garantir um funcionamento perfeito.

Os dispositivos de proteção e as peças danificadas devem ser imediatamente substituídos por um centro de assistência autorizado.

2 Montagem flexível

No caso excepcional de não ser possível montar firmemente a ferramenta elétrica na bancada, pode colocar provisoriamente os pés da placa de base 10 numa superfície adequada (por exemplo, uma bancada de trabalho, piso plano, etc.) sem aparafusar a máquina.

3 Extração de poeiras/limalhas

As poeiras de materiais como os revestimentos que contêm chumbo, alguns tipos de madeira, minerais e metais podem ser prejudiciais para a saúde. O contacto ou a inalação das poeiras pode provocar uma reação alérgica e/ou uma infeção respiratória no utilizador ou nas pessoas que se encontrem nas proximidades.

Certas poeiras, como as de carvalho ou faia, são consideradas cancerígenas, especialmente em ligação com aditivos de tratamento de madeira (cromato, conservante de madeira). Os materiais que contêm amianto só podem ser trabalhados por especialistas.

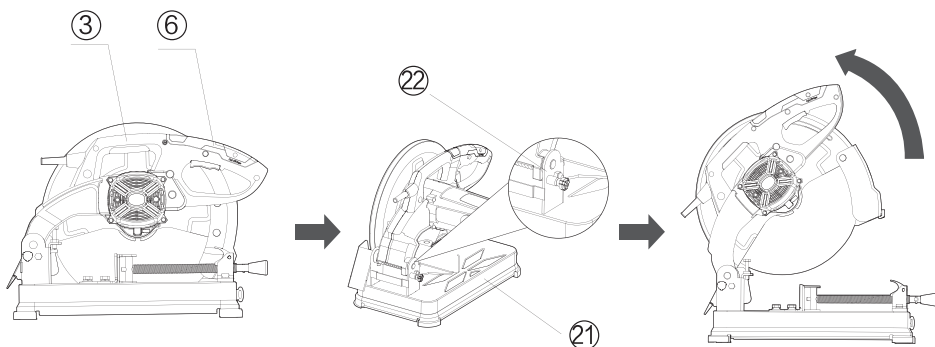
- Utilize a extração de poeiras sempre que possível.
 - Assegure uma boa ventilação do local de trabalho.
 - Recomenda-se a utilização de uma máscara respiratória com filtro P2.
- Respeite os regulamentos nacionais relativos aos materiais a trabalhar.

4 Instruções de funcionamento, instruções de instalação de acessório

⚠ Nota: Leia o Manual de instruções antes de utilizar a ferramenta. Desligue sempre o cabo da tomada quando reparar ferramentas elétricas e acessórios.

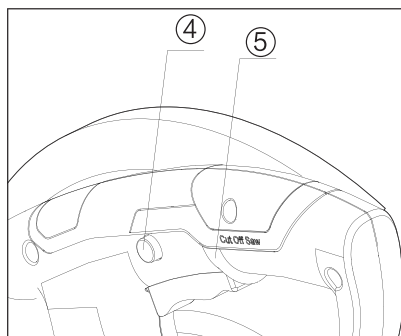
Operação no limite da cabeça

Quando for necessário fixar a ferramenta, premir a pega de comando para baixo e inserir o botão de limite da cabeça no orifício de limite para fixar a ferramenta. Quando for necessário utilizar a ferramenta, puxe o botão de limite da cabeça da máquina para fora, levante a cabeça da ferramenta para a recolocar, e então está pronta a ser utilizada.



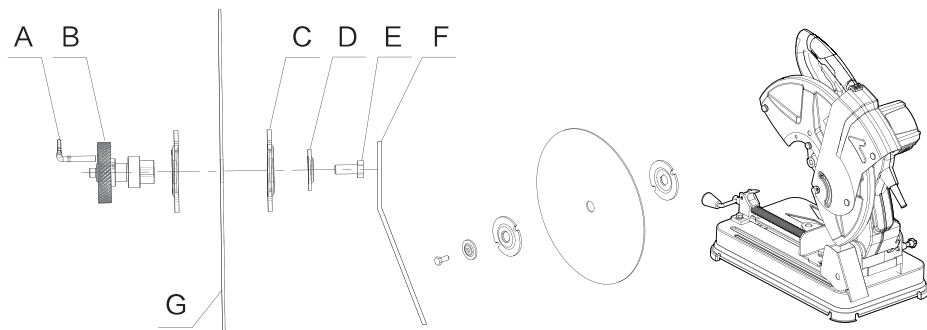
Operação do interruptor

Para ligar esta ferramenta, basta puxar o interruptor. Solte o interruptor de Ligar/Desligar para parar a rotação da ferramenta. Para fazer a máquina rodar continuamente, abra o interruptor de ligar/desligar e prima o botão de bloqueio de ligar/desligar, depois puxe o interruptor de ligar/desligar e solte-o novamente para eliminar a rotação contínua.



Método de desmontar e montar o disco de esmeril (rebolo)

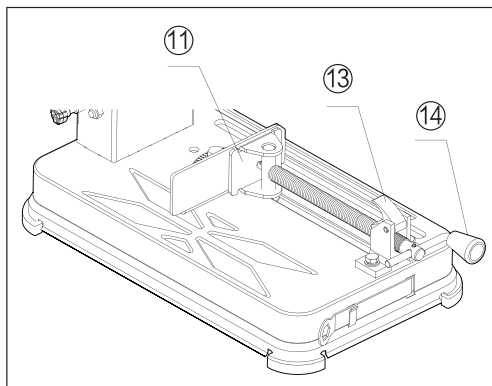
- Desmonte o disco abrasivo. Depois de empurrar o botão de bloqueio do eixo A com a mão esquerda para o orifício da placa B interna, conforme especificado, desaperte a cavilha E com a chave de fendas F para remover o disco abrasivo G.
- Instalação do disco de esmeril (rebolo). Depois de remover a poeira da placa de pressão exterior C, da junta D e da cavilha E, instale o disco de esmeril (rebolo) G. Instale então a placa de pressão exterior C, a junta D, e a cavilha E, em sequência. Por último, segure o disco de esmeril (rebolo) G com as mãos e bloqueie a cavilha E com uma chave de fendas F. Deve verificar se o pino de paragem A foi reposto para a sua posição inicial depois da instalação.



Método para encaixar peças de trabalho

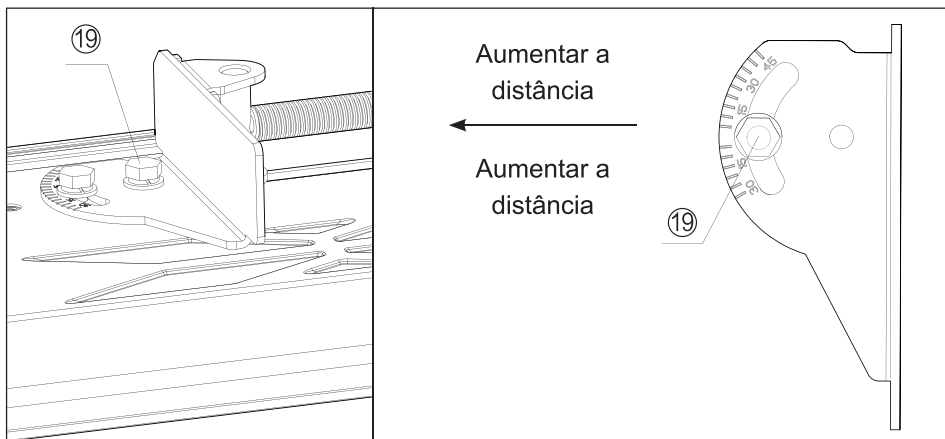
Desapertar a peça de trabalho: Gire a pega do parafuso no sentido anti-horário para desapertar as roscas, empurre então a porca de aperto para a pega do parafuso e puxe rapidamente para trás o parafuso para remover a peça de trabalho.

Apertar a peça de trabalho: empurre o parafuso para a placa de pressão da peça de trabalho contra a peça de trabalho apertada, empurre então a porca de aperto para a frente, para que não entre em contacto com as roscas do parafuso, e por último, gire a pega do parafuso no sentido horário, para fixar a peça de trabalho.



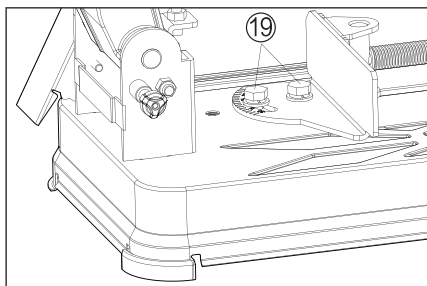
Nota: Ajuste o espaço ou o espaçamento como ilustrado na imagem esquerda se a peça de trabalho processada precisar de mais espaço (veja a imagem esquerda).

- Remova as duas cavilhas que seguram a placa de suporte da peça de trabalho e volte a colocar conforme ilustrado na imagem à direita.
- Volte a instalar a cavilha para fixar.



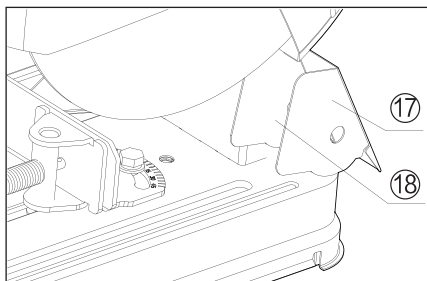
Método para definir o ângulo de corte

Para alterar o ângulo de corte, desaperte as duas cavilhas que prendem a placa de suporte da peça de trabalho, rode a placa de suporte da peça de trabalho para o ângulo pretendido e aperte as cavilhas.



Método de ajuste da proteção contra fragmentos

O suporte da ferramenta está equipado com uma proteção contra fragmentos. O ângulo da cobertura pode ser ajustado ao desapertar os parafusos conforme necessário, para evitar que faíscas de voarem à volta.



5 Manutenção, reparação e contactos pós-venda

Reparação e manutenção

Período de substituição para os discos de esmeril (rebolos)

O desgaste dos discos de esmeril (rebolos) pode ter impacto na eficácia do trabalho. Substitua imediatamente por rodas abrasivas novas. Antes de utilizar a ferramenta, verifique cuidadosamente se o disco de esmeril (rebolo) apresenta fissuras ou deformações. Substitua imediatamente quaisquer rodas abrasivas danificadas.

Inspeção os parafusos que ligam as várias peças.

As várias peças devem ser sujeitas a inspeções regulares para detetar quaisquer parafusos soltos. Se encontrar alguma frouxidão, devem ser imediatamente apertados. Utilizar parafusos que estejam soltos pode facilmente originar situações de perigo.

Armazenamento depois do funcionamento

Depois de utilizar, desligue a ficha elétrica e guarde num local fora do alcance de crianças.

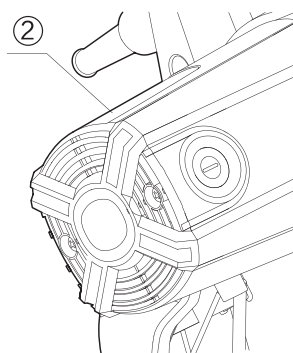
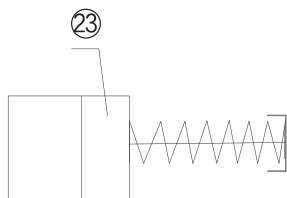
Remoção de poeira

A máquina deve ser limpa após a utilização para evitar a entrada de detritos no motor e provocar danos. Verifique e substitua regularmente as escovas de carvão.

Depois do uso prolongado, as escovas de carvão ficarão mais curtas. Substitua-as quando alcançarem um comprimento de cerca de 5 a 6 mm para evitar danos à máquina.

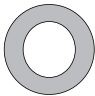
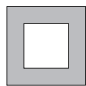

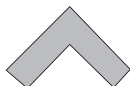
Procedimento de substituição para as escovas de carvão:

- Inspeção regularmente e substitua as escovas de carvão gastas, mantendo-as limpas e a deslizar livremente no interior do suporte das escovas. Substitua ambas as escovas ao mesmo tempo com acessórios originais.
- Utilize uma chave de fendas cruzada para remover a cobertura traseira da máquina e retirar as escovas de carvão gastas, e volte a premir a mola de disco antes de voltar a colocar a cobertura.



Dimensões admissíveis da peça de trabalho

Dimensões **máximas** da peça de trabalho :

Ângulo de esquadria/nível		
Forma da peça de trabalho	0°	45°
	Ø100 (4")	Ø100 (3-1/8")
	100x100mm (4" x 4")	75x75mm (3" x 3")
	160x100mm (6-1/4" x 4")	80x75mm (3-1/8" x 3")
	120x100mm (4-3/4" x 4")	75x75mm (3" x 3")

Dimensões **mínimas** da peça de trabalho

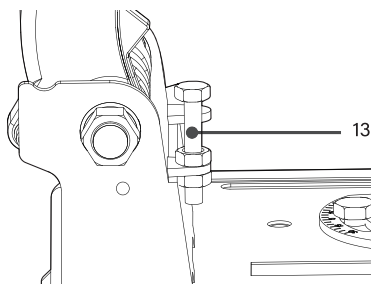
(= todas as peças de trabalho que podem ser fixadas através do mandril de fixação 7) : Comprimento 80 mm

Ajustar o batente de profundidade (ver a figura H)

No estado de fornecimento da máquina, o limitador de profundidade 13 está ajustado de forma a que um disco de corte novo de 355 mm não toque na placa de base durante o corte.

Para compensar o desgaste do disco de corte, o limitador de profundidade pode ser ajustado mais profundamente.

Quando se utiliza um novo disco de corte, o limitador de profundidade deve ser sempre colocado na posição original.



Ajuste sempre o limitador de profundidade de modo a que o disco de corte não toque na placa de base durante o corte.

- Coloque a ferramenta elétrica na posição de trabalho. (veja a secção "Libertar a máquina (posição de trabalho)").
- Desaperte a porca de bloqueio 22.
- Rode o braço da ferramenta com o punho 2 para a posição pretendida.
- Aparafuse o limitador de profundidade 13.
- Guie lentamente o braço da ferramenta para cima e aperte a porca de bloqueio 22.

Transporte

- Transporte a ferramenta elétrica sempre pela pega de transporte 15.

- A ferramenta elétrica deve ser sempre transportada por duas pessoas, para evitar lesões nas costas.
- Ao transportar a ferramenta elétrica, utilize apenas os dispositivos de transporte e nunca os dispositivos de proteção.

Manutenção e assistência técnica

1 Manutenção e limpeza

Antes de qualquer intervenção na máquina, desligue a ficha de alimentação.

Para um funcionamento seguro e correto, mantenha sempre a máquina e as ranhuras de ventilação limpas.

Em condições extremas, utilize sempre, na medida do possível, a extração de poeiras.

Sobre frequentemente as aberturas de ventilação e instale um dispositivo de corrente residual (DCR). Ao trabalhar metais, o pó condutor pode depositar-se no interior da ferramenta elétrica.

O isolamento total da ferramenta elétrica pode ser prejudicado.

Os trabalhos de manutenção e reparação devem ser executados apenas por especialistas qualificados. Deste modo garantirá que a segurança da ferramenta elétrica é mantida.

A proteção retrátil da lâmina deve poder mover-se sempre livremente e retrair-se automaticamente. Por isso, mantenha sempre limpa a área à volta da proteção da lâmina retrátil.

2 Acessórios

Disco de corte (355 mm 14") Chave inglesa

Escovas de carbono

3 Disco de corte (355 mm 14") Chave inglesa Escovas de carbono

O nosso serviço pós-venda responde às suas questões relativas à manutenção e reparação do seu produto, bem como das peças sobressalentes.

Os nossos representantes do serviço de assistência ao cliente podem responder às suas questões relativas a possíveis aplicações e ajustes de produtos e acessórios.

Cartão de Garantia de Produto

Caros utilizadores:

Obrigado pela compra dos nossos produtos. A fim de garantir o benefício da sua compra, os utilizadores que compram os nossos produtos podem contactar o distribuidor local ou os pontos de reparação especificados com a fatura e os cartões de garantia se o produto falhar devido a problemas de qualidade.

Aviso de Garantia:

1. A partir de _____ (Ano/Mês/Dia) até _____ (Ano/Mês/Dia), Se a falha acontecer numa utilização normal, a nossa empresa fornecerá garantia gratuita, substituição de peças e outros serviços de acordo com a situação da falha.
2. Este cartão de garantia e a fatura de compra são o comprovativo do serviço pós-venda fornecido pela nossa empresa aos clientes. O cartão só deve ser detalhado depois de preencher o seguinte formulário e fazer apor o selo oficial junto do distribuidor.
3. Em qualquer dos seguintes casos, o serviço de garantia gratuito será inválido e será necessário o pagamento de taxas de manutenção:
 - (1) Ultrapassada a data de validade da garantia.
 - (2) Falha ou danos causados por não terem sido seguidos os requisitos do manual do produto e/ou manutenção ou armazenamento inadequados.
 - (3) Avarias ou danos causados pela desmontagem, reparação ou modificação do produto sem a permissão da nossa empresa.
 - (4) Avaria do aparelho ou danos causados por motivo de força maior.
 - (5) Acessórios consumíveis.

Este cartão é emitido com o produto. Um cartão para cada máquina, para garantir que pode usufruir plenamente do direito ao serviço de garantia gratuito prestado pela empresa. Por favor, mantenha este cartão devidamente guardado, pois um cartão perdido não será substituído.

Data de compra: _____ (Ano/Mês/Dia)

Certificado de producto

Inspector:

01

Fecha de fabricación:

NINGBO DELI TOOLS CO., LTD.
No. 128 Chezhan West Road, Huangtan Town,
Ninghai County, Ningbo, Zhejiang, China
delitoolsglobal@nbdeli.com
www.delitoolsglobal.com
+86 574 87562689
MADE IN CHINA



Монтажная пила

Номер изделия	DE-XQ355-2E
Номинальная входная мощность	2400W
Номинальная входная мощность	220-240V~
Частота	50/60Hz
Частота вращения без нагрузки	4000/min
Угол поворота	±45°
Вес	15.5kg

Принадлежности

· Гаечный ключ

· угольные щетки

· отрезной круг






Обратите внимание на номер изделия на паспортной табличке вашего инструмента. Торговые наименования отдельных инструментов могут отличаться.

Размеры подходящих отрезных кругов

Диаметр отрезного круга	355mm(14")
Толщина отрезного круга Диаметр монтажного отверстия	3.5mm(1/8")
	25.4mm(1")

Оригинальная инструкция

Символы в инструкции по эксплуатации и на этикетке инструмента

	Прочтите инструкцию по эксплуатации перед использованием инструмента.
	Наденьте защитные очки, средства защиты органов слуха и пылезащитную маску.
	Отходы электротехнической продукции запрещается утилизировать вместе с бытовыми отходами. Они должны быть доставлены в местный центр утилизации для надлежащей переработки. Обратитесь к местным властям или к продавцу за информацией по надлежащей утилизации.
	Предупреждение по технике безопасности. Используйте только принадлежности, поддерживаемые производителем.
	Наденьте защитные перчатки. Отрезные круги очень острые и могут сильно нагреваться во время работы.

ОБЩИЕ ПРЕДУПРЕЖДЕНИЯ ПО ТЕХНИКЕ БЕЗОПАСНОСТИ ПРИ РАБОТЕ С ЭЛЕКТРОИНСТРУМЕНТОМ

! **ПРЕДУПРЕЖДЕНИЕ.** Ознакомьтесь со всеми предупреждениями по технике безопасности, инструкциями, иллюстрациями и спецификациями, прилагаемыми к этому электроинструменту. Несоблюдение любых нижеприведенных инструкций может привести к поражению электрическим током, пожару и/или серьезной травме.

Сохраните все предупреждения и инструкции для обращения к ним в будущем.

Термин «электроинструмент» в предупреждениях относится к электроинструменту, работающему от сети (проводному), или к электроинструменту, работающему от аккумулятора (беспроводному).

Безопасность рабочего места

1. **Поддерживайте рабочее место в чистоте и хорошо освещенным.** Загроможденное или плохо освещенное рабочее место может стать причиной несчастных случаев.
2. **Не используйте электроинструменты во взрывоопасных средах, например рядом с легковоспламеняющимися жидкостями, газами или пылью.** Электроинструменты создают искры, которые могут воспламенить пыль или пары.
3. **Во время работы с электроинструментом не позволяйте детям и посторонним лицам приближаться к месту работы.** Отвлекающие факторы могут привести к потере контроля над электроинструментом.

Электробезопасность

1. **Вилка электроинструмента должна соответствовать розетке. Изменение вилки запрещено. Запрещено использование переходников для подключения заземленных электроинструментов.** Использование немодифицированных вилок и соответствующих им розеток снижает риск поражения электрическим током.
2. **Не прикасайтесь к заземленным предметам, таким как трубы,**

- отопительные батареи, кухонные плиты и холодильники.** При заземлении вашего тела существует повышенный риск поражения электрическим током.
3. **Не подвергайте электроинструменты воздействию дождя или влаги.** Попадание воды в электроинструмент повышает риск поражения электрическим током.
4. **Будьте осторожны со шнуром питания. Никогда не используйте шнур для переноски, волочения или извлечения электроинструмента из розетки. Держите шнур вдали от источников тепла, масла, острых краев или движущихся частей.** Поврежденный или запутанный шнур питания повышает риск поражения электрическим током.
5. **При работе с электроинструментом вне помещения используйте удлинитель, пригодный для использования вне помещения.** Использование удлинителя, предназначенного для использования вне помещения, снижает риск поражения электрическим током.
6. **При необходимости выполнять работы во влажной среде используйте источник электропитания, оборудованный устройством защитного отключения (УЗО).** Использование УЗО снижает риск поражения электрическим током.

Личная безопасность

1. **При работе с электроинструментом будьте внимательны, следите за своими действиями и руководствуйтесь здравым смыслом. Не работайте с электроинструментом, если вы утомлены, находитесь в состоянии алкогольного, наркотического опьянения или под воздействием лекарственных средств.** Малейшая невнимательность при работе с электроинструментом может привести к серьезной травме.
2. **Используйте средства индивидуальной защиты. Всегда используйте средства защиты глаз.** Защитные средства, такие как пылезащитная маска, нескользящая защитная обувь, каска или средства защиты органов слуха, используемые в соответствующих условиях, сводят к минимуму количество травм.
3. **Не допускайте случайного запуска. Перед подключением к источнику питания и/или аккумулятору, поднятием или переноской электроинструмента убедитесь, что выключатель находится в выключенном положении.** Переноска

электроинструментов с пальцем на выключателе или подача питания на электроинструмент с выключателем во включенном положении может привести к несчастным случаям.

- 4. Перед включением электроинструмента храните все регулировочные или гаечные ключи.** Гаечный или регулировочный ключ, оставленный соединенным с вращающейся частью электроинструмента, может привести к травме.
- 5. Не тянитесь слишком далеко. Всегда сохраняйте надежную опору и равновесие.** Это позволяет лучше контролировать электроинструмент в непредвиденных ситуациях.
- 6. Одевайтесь правильно. Не носите свободную одежду или ювелирные украшения. Держите волосы и одежду вдаль от движущихся частей.** Свободная одежда, украшения или длинные волосы могут быть захвачены движущимися частями.
- 7. Если предусмотрены приспособления для подключения устройств удаления и сбора пыли, убедитесь, что последние подключены и используются надлежащим образом.** Использование пылеудаления может снизить влияние опасных факторов, связанных с запыленностью.
- 8. Не допускайте того, чтобы в результате приобретенного опыта работы с электроинструментами вы потеряли бдительность и игнорировали технику безопасности.** Неосторожное действие может привести к серьезной травме за доли секунды.

Использование электроинструмента и уход за ним

- 1. Не перегружайте электроинструмент. Правильно подбирайте электроинструмент для своих целей.** Правильно подобранный электроинструмент лучше и безопаснее выполняет работу на предусмотренных оборотах.
- 2. Не используйте электроинструмент, если его невозможно включить и выключить выключателем.** Любой электроинструмент, которым нельзя управлять с помощью выключателя, опасен и подлежит ремонту.
- 3. Перед выполнением любой регулировки, заменой принадлежностей или помещением электроинструмента**

на хранение отсоединяйте вилку от источника питания и/или извлекайте аккумулятор, если он является съемным. Такие превентивные меры безопасности снижают риск случайного включения электроинструмента.

- 4. Храните неиспользуемые электроинструменты в недоступном для детей месте и не позволяйте лицам, не знакомым с электроинструментом или данными инструкциями, работать с электроинструментом.** Электроинструмент в руках неподготовленных пользователей представляет опасность.
- 5. Осуществляйте техническое обслуживание электроинструментов и принадлежностей. Проверяйте движущиеся детали на предмет несоосности или заедания, выявляйте сломанные детали и другие условия, которые могут повлиять на работу электроинструмента. В случае повреждения отремонтируйте электроинструмент перед использованием.** Причиной многих несчастных случаев является плохое техническое обслуживание электроинструмента.
- 6. Держите режущие инструменты острыми и чистыми.** Правильно обслуживаемые режущие инструменты с острыми режущими кромками реже заедают, и ими легче управлять.
- 7. Используйте электроинструмент, принадлежности, насадки и т. д. в соответствии с настоящей инструкцией, принимая во внимание рабочие условия и выполняемую работу.** Использование электроинструмента не по назначению может привести к возникновению опасных ситуаций.
- 8. Поддерживайте рукоятки и поверхности для захвата сухими, чистыми и обезжиренными.** Скользкие рукоятки и поверхности для захвата не позволяют безопасно обращаться с инструментом и контролировать его в непредвиденных ситуациях.

Обслуживание

- 1. Доверяйте обслуживание электроинструмента квалифицированному специалисту и используйте только оригинальные запасные части.** Это позволит сохранить безопасность электроинструмента.

Инструкции по технике безопасности для отрезных инструментов

Техника безопасности при работе с отрезным инструментом

- 1. Оператор и окружающие люди должны находиться вдали от плоскости вращающегося круга.** Защитный щиток предохраняет оператора от осколков разрушенного круга и случайного контакта с ним.
- 2. Используйте для электроинструмента только армированные или алмазные отрезные круги.** Установка предназначенных для данного инструмента насадок не гарантирует безопасную работу.
- 3. Номинальная скорость вращения насадки должна соответствовать максимальной скорости вращения, указанной на электроинструменте.** В результате использования насадки со скоростью вращения, превышающей номинальное значение, она может разрушиться и разлететься в стороны.
- 4. Используйте только отрезные круги, предназначенные для выполняемых работ.** Например: не выполняйте шлифование боковой поверхностью отрезного круга. Абразивные отрезные круги предназначены для периферийного шлифования, приложение к ним бокового усилия вызывает их растрескивание.
- 5. Всегда используйте только неповрежденные фланцы отрезных кругов, соответствующие диаметру выбранного круга.** Правильно выбранные фланцы обеспечивают опору для кругов и уменьшают вероятность разрушения круга.
- 6. Наружный диаметр и толщина насадки должны соответствовать параметрам электроинструмента.** Невозможно обеспечить нормальную защиту и контроль насадок неправильного размера.
- 7. Размер оправок для отрезных кругов и фланцев должен точно совпадать с размером шпинделя электрического инструмента.** Круги и фланцы с отверстиями под оправку, не соответствующими креплению инструмента, разбалансируются, начинают сильно вибрировать и могут стать причиной потери контроля
- 8. Запрещается использовать поврежденные круги. Перед началом работы проверьте круги на наличие стружки и трещин. После падения электроинструмента или круга осмотрите их на предмет повреждений или установите неповрежденный круг.** После осмотра и установки круга включите электроинструмент с максимальной частотой вращения на одну минуту. При этом оператор и окружающие не должны находиться в плоскости вращающегося круга. Обычно в ходе такой проверки поврежденные круги разрушаются.
- 9. Используйте средства индивидуальной защиты. В зависимости от вида работ используйте защитный щиток, защитные очки закрытого или открытого типа. При необходимости наденьте пылезащитную маску, средства защиты органов слуха, перчатки и фартук, способный предохранить от небольших абразивных частиц или фрагментов обрабатываемой детали.** Средства защиты глаз должны обеспечивать защиту от разлетающихся частиц при выполнении различных работ. Пылезащитная маска или респиратор должны отфильтровывать частицы, образующиеся во время работы. Продолжительное воздействие шума высокой интенсивности может вызвать потерю слуха.
- 10. Следите за тем, чтобы посторонние лица находились на безопасном расстоянии от рабочей зоны. В рабочей зоне все люди должны использовать средства индивидуальной защиты.** Частицы обрабатываемой детали или разрушенного круга могут отлететь в сторону и вызвать травмы даже вне зоны проведения работ.
- 11. Размещайте шнур питания так, чтобы исключить контакт с вращающейся насадкой.** Если будет потерян контроль над инструментом, шнур может быть разрезан или поврежден, а рука или плечо оператора зацепится за вращающийся круг.
- 12. Регулярно очищайте вентиляционные отверстия электроинструмента.** Вентилятор двигателя может всасывать в корпус пыль, а избыточная концентрация металлического порошка создает опасность поражения электрическим током.
- 13. Не используйте электроинструмент рядом с горючими материалами. Не используйте электроинструмент, если он находится на горячей поверхности, например на древесине.** Искры могут вызвать возгорание таких материалов.
- 14. Не используйте насадки с жидкостным охлаждением.** Использование воды или иных жидкостей может привести к короткому замыканию или поражению электрическим током.

Предупреждения об отскоке и соответствующие меры предосторожности

Отскоком называется быстрая реакция на защемление или блокировку вращающегося круга. Защемление или блокировка приводят к быстрой остановке вращающегося круга, что вызывает неконтролируемое вращение **режущего инструмента** в направлении оператора.

Например, при защемлении или заклинивании абразивного круга обрабатываемой деталью кромка круга в точке защемления может врезаться в поверхность материала, что приводит к выбросу или отскоку инструмента. Кроме того, в этой ситуации абразивный круг может разрушиться. Отскок — это результат ненадлежащей эксплуатации электроинструмента и/или несоблюдения правил его эксплуатации. Чтобы избежать отскока, соблюдайте указанные ниже меры предосторожности.

1. **Крепко держите электроинструмент. Располагайтесь так, чтобы плечо и тело могли нейтрализовать отскок.** Оператор может контролировать направленную вверх силу отскока, если будут приняты соответствующие меры предосторожности.
2. **Не располагайтесь на одной линии с вращающимся кругом.** В случае отскока режущий инструмент поднимется вверх к оператору.
3. **Не устанавливайте в электроинструмент пильную цепь, дисковую пилу для работ по дереву, сегментный алмазный круг с периферийным зазором более 10 мм или зубчатую дисковую пилу.** Такие инструменты часто приводят к отскоку и потере контроля.
4. **Не допускайте заклинивания круга и не прикладывайте избыточное давление. Не пытайтесь выполнять рез с большой глубиной.** Чрезмерное усилие, прилагаемое к кругу, увеличивает нагрузку и вероятность его перекручивания или заклинивания, а также возможность отскока или разрушения круга.
5. **При заклинивании круга или прерывании резки по какой-либо причине, выключите электроинструмент и держите режущую часть неподвижно до полной остановки круга. Запрещается извлекать вращающийся круг из канала реза, иначе возможен отскок.** Примите необходимые меры по устранению причины заклинивания круга.

6. **Не начинайте резание, когда круг находится в детали. Дождитесь достижения максимальной частоты вращения круга и аккуратно вставьте его в канал реза.** При возобновлении резания с кругом в детали возможно заклинивание, резкий подъем или отскок круга.
7. **Обеспечьте опору для крупных деталей, чтобы свести к минимуму риск заклинивания и отскока.** Детали большого размера провисают под собственным весом. Необходимо установить опоры под деталью с обеих сторон круга рядом с линией отрезания и рядом с концом детали.

Остаточные риски

Даже при использовании электроинструмента по назначению невозможно устранить все факторы остаточного риска. Следующие опасности могут возникнуть в связи с конструкцией и исполнением электроинструмента:

1. Вред здоровью, возникающий в результате вибрации, если электроинструмент используется в течение длительного периода времени или ненадлежащим образом управляется и обслуживается.
2. Травмы и материальный ущерб из-за сломанных насадок, которые внезапно разрушаются.



Внимание

Этот электроинструмент во время работы создает электромагнитное поле. При определенных обстоятельствах это поле может создавать помехи для активных или пассивных медицинских имплантатов. Чтобы снизить риск серьезных или смертельных травм, мы рекомендуем лицам с медицинскими имплантатами проконсультироваться со своим врачом и производителем медицинских имплантатов перед использованием этого электроинструмента.

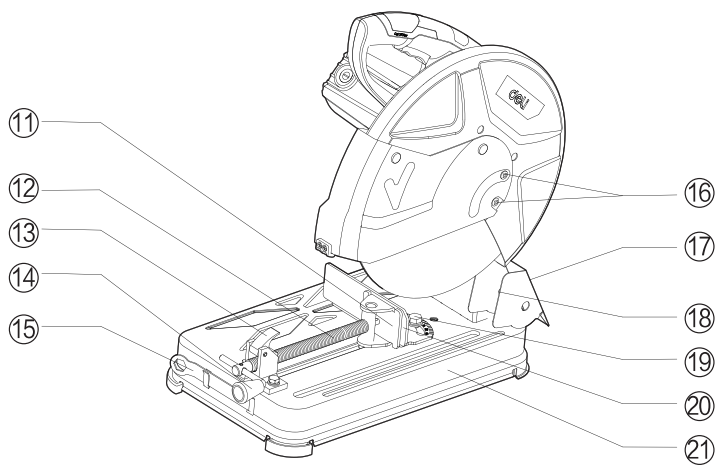
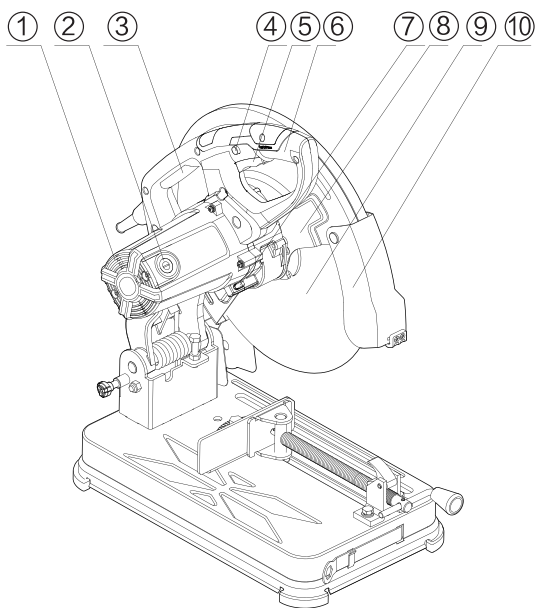
Назначение

Инструмент предназначен для стационарного использования с отрезными кругами для выполнения продольных и поперечных прямых или косых пропилов под углом 45° в металлических материалах без использования воды.

Компоненты инструмента

Нумерация показанных компонентов относится к изображению электроинструмента на страницах с изображениями.

1. Вентиляционные отверстия
2. Крышка угольной щетки
3. Ручка
4. Кнопка блокировки вала переключателя
5. Курковый выключатель
6. Ручка
7. Ручка блокировки вала
8. Несъемная защитная крышка
9. Шлифовальный круг
10. Съемная защитная крышка
11. Пластина для зажима заготовки
12. Резьбовой стержень
13. Зажимная гайка
14. Ручка резьбового стержня
15. Гаечный ключ
16. Винт
17. Кожух для защиты от стружки
18. Регулировочный винт
19. Болт
20. Регулируемый стопорный блок
21. Основание
22. Кнопка ограничения головки
23. Угольная щетка



Избегайте непреднамеренного запуска инструмента. Во время сборки и выполнения всех работ на инструменте вилка шнура питания не должна быть подключена к сети.

1 Комплект поставки

Осторожно извлеките из упаковки все детали, входящие в комплект поставки.

Удалите весь упаковочный материал с инструмента и входящих в комплект принадлежностей.

Перед первым запуском инструмента проверьте наличие всех перечисленных ниже деталей:

- Абразивно-отрезной станок с установленным отрезным кругом
- Накидной гаечный ключ 23

Примечание: Проверьте электроинструмент на предмет возможных повреждений.

Перед дальнейшим использованием инструмента убедитесь, что все защитные устройства полностью работоспособны. Любые незначительно поврежденные детали должны быть тщательно проверены, чтобы гарантировать безупречную работу инструмента. Все детали должны быть правильно смонтированы, и должны быть соблюдены все условия, обеспечивающие безотказную работу.

Поврежденные защитные устройства и детали должны быть немедленно заменены в авторизованном сервисном центре.

2 Свободная установка

В исключительном случае, когда невозможно прочно закрепить электроинструмент на верстаке, допускается временно поместить ножи опорной плиты 10 на подходящую поверхность (например, на верстак, ровный пол и т. д.), не фиксируя инструмент болтами.

3 Удаление пыли/стружки

Пыль от таких материалов, как содержащие свинец покрытия, некоторые породы дерева, минералы и металлы, может быть опасна для здоровья. Прикосновение к пыли или ее вдыхание может вызвать аллергические реакции и/или привести к респираторным инфекциям у пользователя или окружающих.

Некоторые виды пыли, такие как пыль дуба или бука, считаются канцерогенными, особенно в сочетании с добавками для обработки древесины (хроматы, антисептики для древесины). С материалами, содержащими асбест, могут работать только специалисты.

- Используйте пылеудаление, когда это возможно.
- Обеспечивайте хорошую вентиляцию рабочего места.
- Рекомендуется носить респиратор класса фильтрации P2.

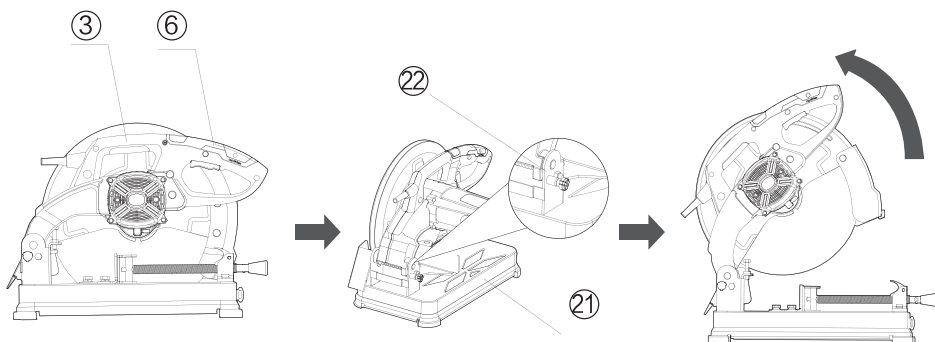
Соблюдайте соответствующие правила своей страны для обрабатываемых материалов.

4 Инструкции по эксплуатации, инструкции по установке принадлежностей

⚠ Примечание. Прочтите инструкцию по эксплуатации перед началом работы. При техническом обслуживании электроинструмента и принадлежностей необходимо извлечь вилку силового кабеля из розетки сети электроснабжения.

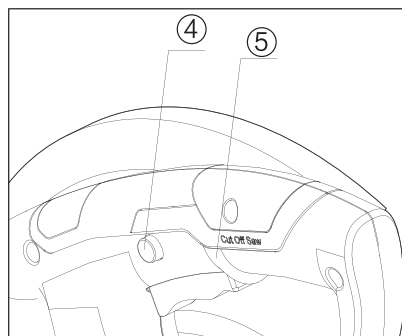
Управление ограничением головки

Если необходимо зафиксировать инструмент, нажмите на рабочую ручку вниз и вставьте кнопку ограничения головки в ограничительное отверстие. Если необходимо использовать инструмент, вытяните наружу кнопку ограничения головки и поднимите головку инструмента, чтобы вернуть ее в исходное состояние. После этого инструмент готов к использованию.



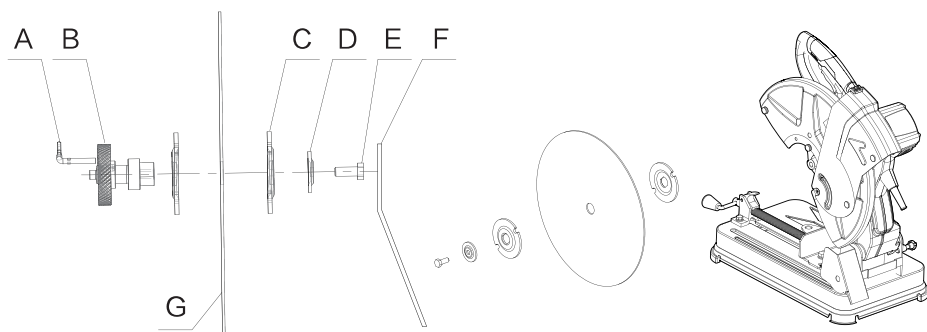
Включение/выключение

Чтобы включить данный инструмент, нажмите на курковый выключатель. Чтобы остановить вращение инструмента, отпустите курковый выключатель. Чтобы инструмент вращался непрерывно, откройте курковый выключатель и нажмите кнопку блокировки включения/выключения. Чтобы остановить непрерывное вращение, потяните за курковый выключатель и отпустите его.



Снятие и установка шлифовального круга

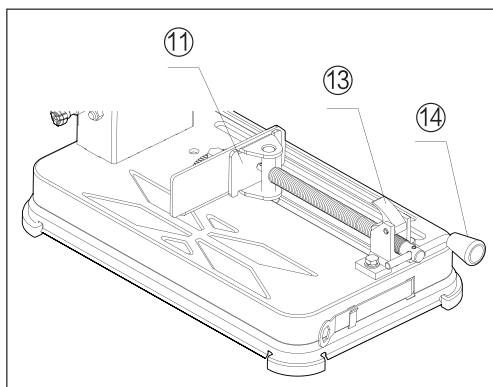
- Снятие шлифовального круга. Лево́й рукой нажмите ручку А блокировки вала так, чтобы он вошел в отверстие внутренней планшайбы В (см. рисунок). Затем ключом F ослабьте болт Е, чтобы снять шлифовальный круг G.
- Установка шлифовального круга. Удалите пыль с наружной прижимной пластины С, прокладки D и болта Е и установите шлифовальный круг. Затем по очереди установите наружную прижимную пластину С, прокладку D и болт Е. После этого рукой зажмите шлифовальный круг G и ключом F затяните болт Е. После установки убедитесь, что стопорный стержень А вернулся в исходное положение.



Способ крепления заготовок

Ослабление крепления заготовки. Поверните ручку резьбового стержня против часовой стрелки, чтобы разблокировать резьбу, затем нажмите на зажимную гайку в направлении ручки резьбового стержня и быстро извлеките резьбовой стержень, чтобы снять заготовку.

Крепление заготовки. Нажав на резьбовой стержень, продвиньте его вперед к пластине для зажима заготовки так, чтобы она прижала заготовку. Затем нажмите на зажимную гайку в направлении вперед так, чтобы она не касалась резьбы резьбового стержня, после чего поверните ручку резьбового стержня по часовой стрелке, чтобы закрепить заготовку.



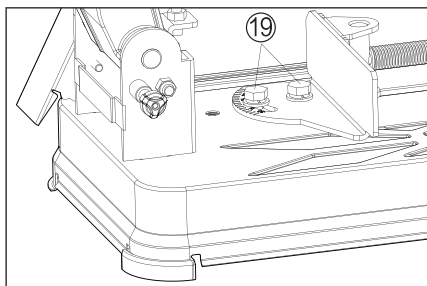
Примечание. Если для обработки заготовки требуется больше места, отрегулируйте зазор так, как показано на рисунке слева.

- Выкрутите два болта, которые крепят опорную пластину для заготовки, и измените ее положение, как показано на рисунке справа.
- Затем вкрутите болты, чтобы закрепить пластину.



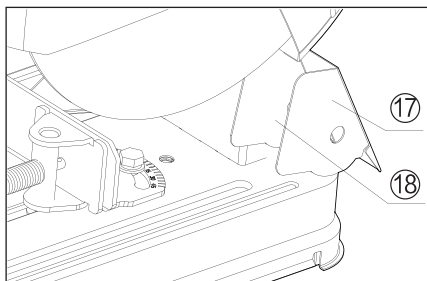
Способ установки угла резания

Чтобы изменить угол резания, ослабьте два болта крепления пластины для зажима заготовки, поверните данную пластину под нужным углом и затяните болты.



Способ регулировки положения кожуха для защиты от стружки

Держатель инструмента оснащен кожухом для защиты от стружки. Угол установки данного кожуха можно отрегулировать, ослабив по мере необходимости два винта, чтобы предотвратить разлетание искр.



5 Техническое обслуживание, уход и контактная информация для послепродажного обслуживания

Ремонт и техническое обслуживание

Периодичность замены шлифовальных кругов

Износ шлифовального круга влияет на эффективность работы. Его замену следует выполнять незамедлительно. Перед использованием шлифовального круга тщательно осмотрите его на отсутствие трещин и деформации. В случае наличия повреждения немедленно замените его.

Осмотрите винты, соединяющие различные детали.

Необходимо регулярно осматривать различные детали с целью выявления ослабленных винтов. В случае обнаружения ослабленных винтов немедленно подтяните их. Использование инструмента с ослабленными винтами создает угрозу безопасности.

Хранение после использования

После использования инструмента извлеките вилку его сетевого шнура из розетки сети электроснабжения. Храните инструмент в недоступном для детей месте.

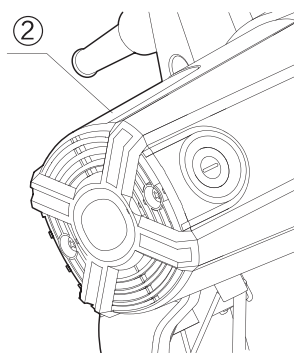
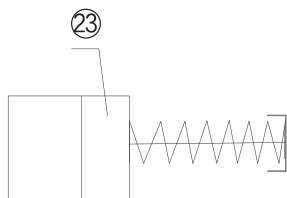
Удаление пыли

После использования инструмент необходимо очистить, чтобы предотвратить попадание грязи в двигатель и его последующее повреждение.

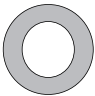

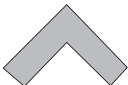
Регулярно проверяйте состояние угольных щеток и заменяйте их по мере необходимости.

В результате длительного использования угольные щетки становятся короче. Когда их длина станет приблизительно 5–6 мм, замените их, чтобы предотвратить повреждения инструмента.

- Регулярно осматривайте угольные щетки и в случае износа заменяйте их. Следите за тем, чтобы они оставались чистыми и беспрепятственно скользили внутри держателя. Заменять необходимо сразу обе щетки, используя оригинальные принадлежности.
- С помощью крестовой отвертки снимите заднюю крышку инструмента и извлеките изношенные угольные щетки. Перед установкой крышки на место отожмите тарельчатую пружину.



Допустимые размеры детали
Максимальные размеры детали:

Угол наклона/скоса		
Форма детали	0°	45°
	Ø100 (4")	Ø100 (3-1/8")
	100x100mm (4" x 4")	75x75mm (3" x 3")
	160x100mm (6-1/4" x 4")	80x75mm (3-1/8" x 3")
	120x100mm (4-3/4" x 4")	75x75mm (3" x 3")

Минимальные размеры детали

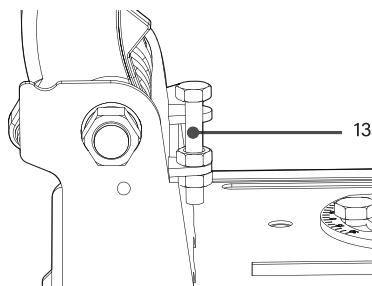
(= все детали, которые можно зажать с помощью зажимного винта 7) : Длина 80 мм

Регулировка ограничителя глубины (см. рис. Н)

По умолчанию ограничитель глубины 13 отрегулирован таким образом, чтобы новый отрезной круг диаметром 355 мм при резке не касался опорной плиты.

Чтобы компенсировать износ отрезного круга, ограничитель глубины можно установить глубже.

При использовании нового отрезного круга ограничитель глубины всегда должен быть возвращен в исходное положение.



Всегда регулируйте ограничитель глубины таким образом, чтобы отрезной круг при резке не касался опорной плиты.

- Установите электроинструмент в рабочее положение. (См. «Разблокировка инструмента (рабочее положение)»).
- Ослабьте стопорную гайку 22.
- Поверните рычаг инструмента с помощью ручки 2 в нужное положение.
- Вверните ограничитель глубины 13.
- Медленно поднимите рычаг инструмента вверх и затяните стопорную гайку 22.

Транспортировка

- Переносите электроинструмент только за ручку для переноски 15.

- Во избежание травм спины электроинструмент всегда должны переносить два человека.
- При транспортировке электроинструмента используйте только транспортировочные устройства и ни в коем случае не используйте предохранительные устройства.

Техническое и сервисное обслуживание

1 Техническое обслуживание и очистка

Перед выполнением любых работ на самом инструменте вынимайте вилку из розетки. Для безопасной и надежной работы всегда поддерживайте инструмент и вентиляционные отверстия в чистоте.

В экстремальных условиях всегда используйте пылеудаление, насколько это возможно.

Почаще продувайте вентиляционные отверстия и используйте устройство защитного отключения (УЗО). При работе с металлами токопроводящая пыль может оседать внутри электроинструмента. Общая изоляция электроинструмента может быть нарушена.

Доверяйте работы по техническому обслуживанию и ремонту только квалифицированным специалистам. Таким образом можно обеспечить сохранение безопасности электроинструмента. Сдвижной защитный кожух должен всегда свободно перемещаться и автоматически сдвигаться назад. Поэтому всегда поддерживайте область вокруг сдвижного защитного кожуха отрезного круга в чистоте.

2 Принадлежности

Отрезной круг (355 мм — 14 дюймов) Гаечный ключ
Угольные щетки

3 Послепродажное обслуживание и помощь клиентам

Наша служба послепродажного обслуживания ответит на ваши вопросы, касающиеся технического обслуживания и ремонта вашего инструмента, а также запасных частей.

Наши представители отдела обслуживания клиентов могут ответить на ваши вопросы, касающиеся возможных применений и настройки инструментов и принадлежностей.

Гарантийный талон продукта

Уважаемые пользователи!

Благодарим вас за приобретение нашей продукции. Если приобретенное вами изделие вышло из строя из-за проблем с качеством, вы можете обратиться к местному дистрибьютору или в указанные пункты ремонта, приложив счет-фактуру и гарантийные талоны.

Гарантийное уведомление:

1. От _____ (год/месяц/день) до _____ (год/месяц/день), Если выход из строя произошел при обычном использовании, наша компания предоставит бесплатную гарантию, замену деталей и другие услуги в зависимости от характера поломки.
2. Настоящий гарантийный талон и счет-фактура являются ваучером послепродажного обслуживания, предоставляемого нашей компанией клиентам. Вносить данные в талон следует только после заполнения следующей формы и скрепления официальной печатью дистрибьютора.
3. При возникновении одного из следующих случаев бесплатное гарантийное обслуживание является недействительным и взимается плата за ремонт:
 - (1) Истек срок службы изделия.
 - (2) Неисправность или повреждение вызванные несоблюдением требований руководства по эксплуатации изделия, техническому обслуживанию или неправильными условиями хранения.
 - (3) Неисправность или повреждение вызванные разборкой, ремонтом или модификацией изделия без разрешения нашей компании.
 - (4) Поломка или повреждение изделия, вызванные форс-мажорными обстоятельствами.
 - (5) Расходные материалы и принадлежности.

Настоящий талон выдан вместе с изделием. Один талон на одно изделие. Чтобы в полной мере воспользоваться правом на бесплатное гарантийное обслуживание, предоставляемое компанией, необходимо сохранить талон в целостности, утерянный талон замене не подлежит.

Дата покупки: _____ (год/месяц/день)

Сертификат продукции

Контролирующий орган:

01

Дата производства:

NINGBO DELI TOOLS CO., LTD.
No. 128 Chezhan West Road, Huangtan Town,
Ninghai County, Ningbo, Zhejiang, China
delitoolsglobal@nbdeli.com
www.delitoolsglobal.com
+86 574 87562689
MADE IN CHINA



بطاقة ضمان المنتج

المفتش:

01

تاريخ التصنيع:

NINGBO DELI TOOLS CO., LTD.
No. 128 Chezhan West Road, Huangtan Town,
Ninghai County, Ningbo, Zhejiang, China
delitoolsglobal@nbdeli.com
www.delitoolsglobal.com
+86 574 87562689
MADE IN CHINA



بطاقة ضمان المنتج

أعزائي المستخدمين:

شكراً لاختياركم مُنتجنا. لضمان حصولكم على أقصى استفادة ممكنة، يمكن لعمالنا الاتصال بالوكيل المحلي أو بمحطات الصيانة المحددة عند حدوث أي عيوب في المنتج بسبب مشاكل في الجودة، وذلك باستخدام فاتورة الشراء وبطاقة الضمان.

إشعار الضمان:

1. من _____ (اليوم/ الشهر/ السنة) إلى _____ (اليوم/ الشهر/ السنة)، بالضمان رضاكم، ستقدم شركتنا ضماناً مجانياً واستبدال القطع وأعمال الصيانة الأخرى عند حدوث أي عطل أثناء الاستخدام العادي، وذلك بما يتناسب مع طبيعة العطل المحدد.
2. تعد بطاقة الضمان هذه وفاتورة الشراء إثباتاً لخدمة ما بعد البيع التي تقدمها شركتنا للعملاء. يمكن تقديم طلب الحصول على بطاقة الضمان من خلال ملء النموذج التالي ووضع الختم الرسمي من قبل الموزع.
3. لن يتم تقديم خدمات الصيانة مجاناً ويتوجب دفع رسومها كاملة في حالة وجود إحدى الحالات التالية:
 - (1) تجاوز تاريخ الانتهاء؛
 - (2) عطل أو تلف المنتج نتيجة عدم اتباع متطلبات دليل المنتج أو الصيانة أو التخزين الصحيح؛
 - (3) العطل أو التلف الناتج عن تفكيك أو إصلاح أو تعديل المنتج بدون إذن من شركتنا؛
 - (4) العطل أو التلف الناتج عن القوة القاهرة؛
 - (5) الملحقات الاستهلاكية.

يتم إصدار هذه البطاقة مع المنتج. يرجى الاحتفاظ بطاقة ضمان المنتج بشكل صحيح، حيث تضمن هذه البطاقة حق الاستفادة من الخدمة المجانية للضمان التي تقدمها الشركة، علماً بأنه لا يمكن استبدالها في حالة الفقد.

تاريخ الشراء: _____ (اليوم/ الشهر/ السنة)

1 الصيانة والتنظيف

قبل أي عمل على الجهاز نفسه، اسحب قابس التيار الكهربائي للعمل الآمن والمناسب، حافظ دائماً على نظافة الجهاز وفتحات التهوية. في الظروف القاسية، استخدم دائماً استخراج الغبار الإمكان. تفجير فتحات التهوية بشكل متكرر وتركيب جهاز التيار المتبقي (RCD). عند عمل المعادن، يمكن أن يستقر الغبار الموصل في الجزء الداخلي من أداة الطاقة. يمكن إضعاف العزل الكلي لأداة الطاقة. لا يقوم بأعمال الصيانة والإصلاح إلا أخصائيو مؤهلون. وبهذه الطريقة، يمكن ضمان الحفاظ على سلامة أداة الطاقة. يجب أن يكون حارس الشفرة المتراجع دائماً قادراً على التحرك بحرية والتراجع تلقائياً. لذلك، حافظ دائماً على المنطقة المحيطة بحارس الشفرة المتراجع نظيفة.

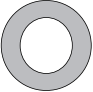
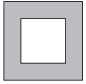

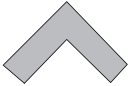
2 ملحقات

قرص القطع (355 مم 14 بوصة)
وجع
فرش الكربون

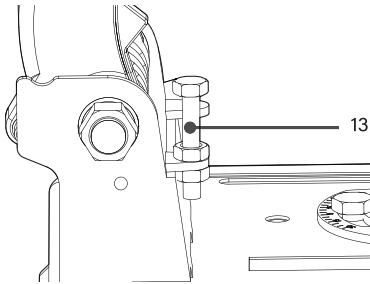
3 خدمة ما بعد البيع ومساعدة العملاء

تستجيب خدمة ما بعد البيع الخاصة بنا لأسئلتك المتعلقة بصيانة وإصلاح منتجك بالإضافة إلى قطع الغيار. يمكن لممثلي خدمة العملاء لدينا الإجابة على أسئلتك المتعلقة بالتطبيقات المحتملة وتعديل المنتجات والوصول إليها

ستخدم فقط أقراص القطع المناسبة لعمل المادة.
أبعاد العمل المسموح بها أحجام العمل القصوى:

ميتري / زاوية شطبية		
نموذج الشغل	0°	45°
	Ø100 (4")	Ø100 (3-1/8")
	100x100mm (4" x 4")	75x75mm (3" x 3")
	160x100mm (6-1/4" x 4")	80x75mm (3-1/8" x 3")
	120x100mm (4-3/4" x 4")	75x75mm (3" x 3")

الحد الأدنى من أحجام العمل
(= جميع قطع العمل التي يمكن تثبيتها عبر مغزل التثبيت (7):
الطول 80 مم



تعديل توقف العمق (انظر الشكل حاء)

في حالة تسليم الجهاز، يتم تعديل توقف العمق 13 بطريقة تجعل قرص القطع الجديد 355 مم لا يلمس اللوحة الأساسية عند القطع. لتعويض تآكل قرص القطع، يمكن ضبط توقف العمق بشكل أعمق. عند استخدام قرص القطع الجديد، يجب أن يعود توقف العمق دائماً إلى الموضع الأصلي.

قم دائماً بضبط توقف العمق بطريقة تجعل قرص القطع لا يلمس اللوحة الأساسية عند القطع

- أحضر أداة الطاقة إلى موقع العمل. (انظر «تحرير الآلة (موقع العمل)».)
- تخفيف قفل الجوز 22.
- تأرجح ذراع الأداة بالمقبض 2 إلى الموضع المطلوب.
- مسمار العمق توقف 13.
- قم بتوجيه ذراع الأداة ببطء لأعلى وشد قفل الجوز 22.

النقل

- احمل دائماً أداة الطاقة بمقبض النقل 15.
- يجب أن يحمل أداة الطاقة دائماً شخصان لتجنب إصابات الظهر
- عند نقل أداة الطاقة، استخدم أجهزة النقل فقط ولا تستخدم أجهزة الحماية أبداً

الإصلاح والصيانة

فترة استبدال عجلات التجليخ

يمكن أن يؤثر بلى وتآكل عجلات التجليخ على كفاءة العمل. استبدلهم بقطع جديدة على الفور. قبل الاستخدام، يرجى فحص عجلة التجليخ بعناية للبحث عن شقوق وعيوب فيها. استبدل أي عجلات تالفة على الفور.

افحص البراغي الموصلة للأجزاء المختلفة.

يجب أن تخضع الأجزاء المتعددة لفحوصات منتظمة للتحقق من وجود أي براغي مرتخية. إذا عثرت على أي ارتخاء، يجب شدّها على الفور. إن استخدام البراغي وهي مرتخية يمكن أن يؤدي إلى الخطر بسهولة.

التخزين بعد التشغيل

بعد الاستخدام، افصل قابس الطاقة، وقم بالتخزين في مكان بعيد عن متناول أيدي الأطفال.

إزالة الغبار

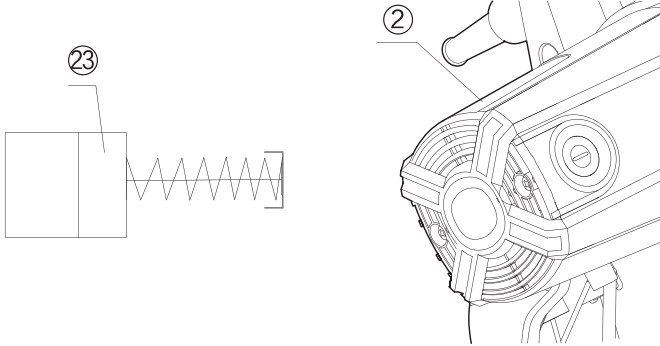
يجب تنظيف الماكينة بعد استخدامها لمنع دخول الأتربة إلى المحرك مما يلحق الضرر بالماكينة.

افحص واستبدل فرش الكربون بانتظام.

بعد الاستخدام لفترة طويلة، فإن فرش الكربون سوف تقصر. استبدلها عندما يصل طولها إلى حوالي 5 إلى 6 ملم لمنع تلف الماكينة.

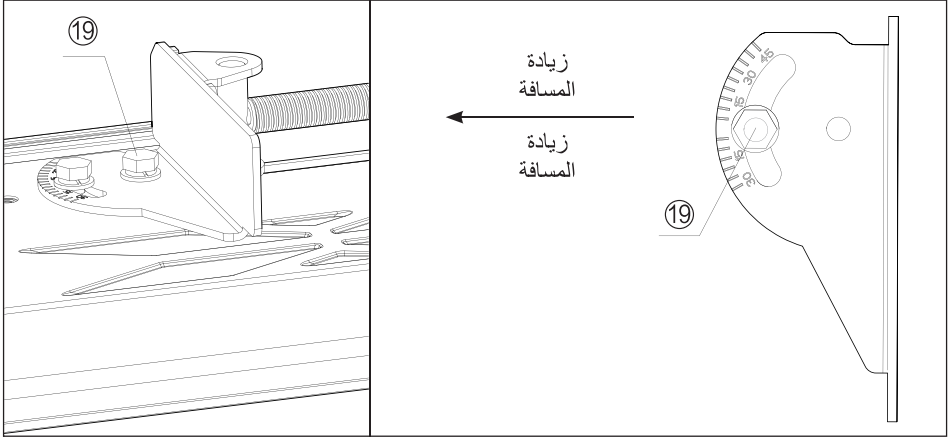
إجراءات استبدال فرش الكربون:

1. افحص فرش الكربون البالية واستبدلها بانتظام، ونظفها وضعها في حاوية الفرش. استبدل كل منهما فوراً بملحقات الأصلية.
2. استخدم مفك براغي صليبي لإزالة الغطاء الخلفي للماكينة وإزل فرش الكربون البالية، ثم اضغط على نابض القرص قبل تغطيته مرة أخرى.



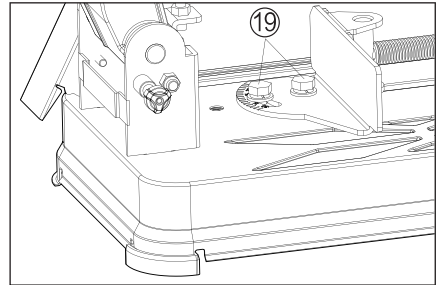
ملاحظة: قم بتعديل المسافة أو اضبط التباعد كما هو موضح في الشكل الأيسر إذا كانت قطعة عمل المعالجة تتطلب المزيد من المساحة (انظر الشكل الأيسر).

1. أزل الترياسين لتأمين لوحة دعم قطعة العمل وأعد وضعها كما هو موضح في الشكل الموجود على الجانب الأيمن.
2. ثم أعد تركيب الترياس لتأمينها.



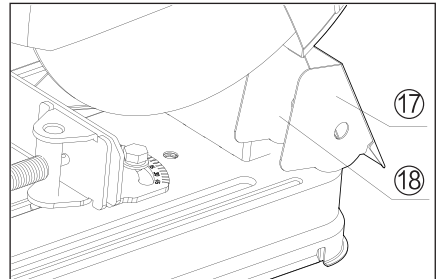
طريقة ضبط زاوية القطع

لتغيير زاوية القطع، ارخ الترياسين اللذين يثبتان لوحة دعم قطعة العمل، وأدر لوحة دعم العمل إلى الزاوية المرغوبة، ثم ثبت الترياسين مرة أخرى.



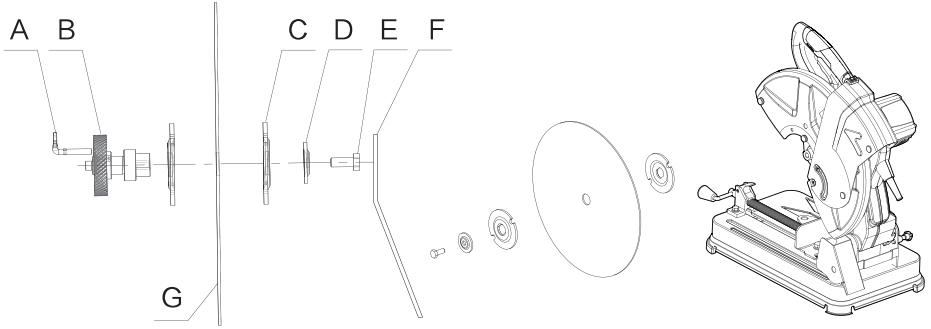
طريقة تعديل حافط النشارة

ماسك الأداة مجهز بحافظ النشارة. يمكن تعديل زاوية الغطاء عن طريق إرخاء البراغي حسب الحاجة لمنع تطاير الشرارة في الأجزاء.



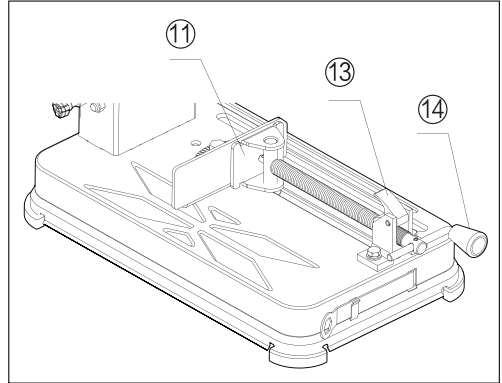
طريقة فك وتركيب عجلة التجلخ

1. قم بفك قرص التجلخ بعد دفع مقبض قفل العمود A باليد اليسرى إلى داخل فتحة الصحن الداخلي B كما هو موضح، وارخ التبراس E باستخدام مفك الربط F لإزالة قرص التجلخ G.
2. تركيب عجلة التجلخ. بعد إزالة الغبار من لوحة الضغط الخارجية C والحشية D والتبراس E، ركب عجلة التجلخ G. ثم ركب لوحة الضغط الخارجية C والحشية D والتبراس E بالتتابع. وأخيراً، امسك عجلة التجلخ G بيدك واقفل التبراس E بمفتاح الربط F. يجب التأكد من استعادة مسمار التوقف A إلى وضعه الأولي بعد التركيب.



طريقة تثبيت قطع العمل

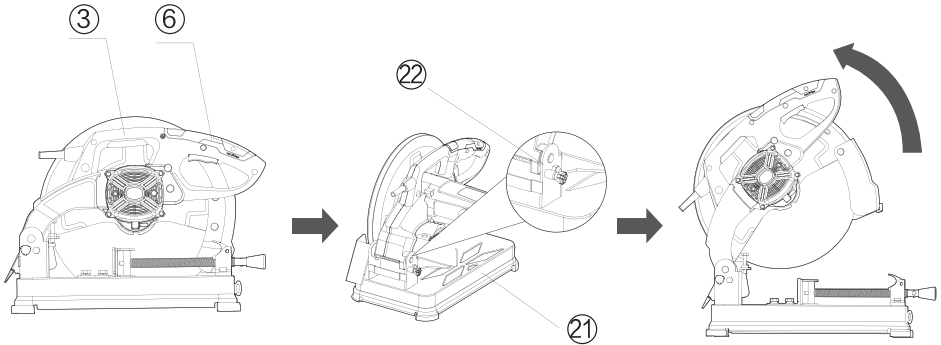
ارخ قطعة العمل: ادر مقبض البرغي عكس اتجاه عقارب الساعة لإرخاء الأسنان، ثم ادفع صمولة الربط في اتجاه مقبض البرغي واسحب البرغي للخلف سريعاً لإزالة قطعة العمل.
ربط قطعة العمل: ادفع البرغي للأمام في اتجاه لوحة ضغط قطعة العمل على قطعة العمل المربوطة، ثم ادفع صمولة الربط للأمام بحيث لا تلامس أسنان البرغي، وفي النهاية أدر مقبض البرغي في اتجاه عقارب الساعة لتثبيت قطعة العمل.



⚠ ملاحظة: اقرأ دليل التعليمات قبل التشغيل. افصل الكابل عن المآخذ عند صيانة الأدوات الكهربائية والملحقات.

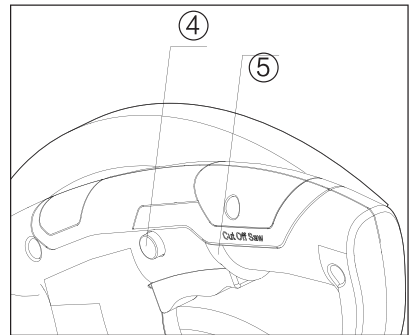
تشغيل حد الرأس

إذا تطلب الأمر تثبيت الأداة، اضغط على مقبض التشغيل إلى الأسفل وأدخل مقبض حد الرأس في داخل فتحة الحد لتثبيت الأداة. عندما يكون من الضروري استخدام الأداة، اسحب زر حد رأس الماكينة للخارج، وارفع رأس الأداة لإعادة ضبطها، وبعد ذلك تصبح جاهزة للاستخدام.



تشغيل المفتاح

لتشغيل هذه الأداة، اسحب مشغل المفتاح بكل بساطة. حرر مشغل مفتاح التشغيل/إيقاف التشغيل لإيقاف التشغيل وإيقاف الأداة عن الدوران. لإدارة الماكينة باستمرار، افتح مشغل مفتاح التشغيل/إيقاف التشغيل، واخفض مقبض قفل التشغيل/إيقاف التشغيل، ثم اسحب مشغل مفتاح التشغيل/إيقاف التشغيل وحرره مرة أخرى لإيقاف الدوران المستمر.



تجنب بدء تشغيل الجهاز بشكل غير مقصود. أثناء التجميع ولجميع الأعمال على الجهاز، يجب عدم توصيل قابس الطاقة بامدادات التيار الكهربائي.

1 نطاق التسليم

قم بإزالة جميع الأجزاء المدرجة في التسليم بعناية من عبواتها.

قم بإزالة جميع مواد التغليف من الجهاز والملحقات المقدمة.

قبل بدء تشغيل الجهاز لأول مرة، تحقق مما إذا كانت جميع الأجزاء المذكورة أدناه قد تم توفيرها:

- مطحنة مقطوعة مع قرص قطع مثبت

- مفتاح رنين 23

ملاحظة: تحقق من أداة الطاقة بحثاً عن الضرر المحتمل.

قبل الاستخدام الإضافي للجهاز، تحقق من أن جميع أجهزة الحماية تعمل بكامل طاقتها. يجب فحص أي أجزاء متضررة قليلاً بعناية لضمان التشغيل

الخالٍ من العيوب للأداة. يجب تركيب جميع الأجزاء بشكل صحيح واستيفاء جميع الشروط التي تضمن التشغيل الخالي من العيوب.

يجب استبدال أجهزة وأجزاء الحماية التالفة على الفور بمركز خدمة مصرح به.

2 تركيب مرن

في حالة استثنائية أنه لا ينبغي أن يكون من الممكن تثبيت أداة الطاقة بقوة، يمكنك وضع أرجل اللوحة الأساسية 10 مؤقتاً على سطح مناسب (على سبيل

المثال، منضدة عمل، أرضية مستوى، وما إلى ذلك)

دون تثبيت الآلة لأسفل..

3 استخراج الغبار/الرقائق

يمكن أن يكون الغبار من مواد مثل الطلاءات المحتوية على الرصاص وبعض أنواع الخشب والمعادن والمعادن الضارة بصحة الفرد. يمكن أن يسبب

لمس الغبار أو استنشاقه ردود فعل تحسسية و/أو يؤدي إلى التهابات الجهاز التنفسي للمستخدم أو المارة.

يعتبر بعض الغبار، مثل غبار البلوط أو الزان، مادة مسرطنة C، خاصة فيما يتعلق بإضافات معالجة الأخشاب (الكرومات، المواد الحافظة للخشب). لا

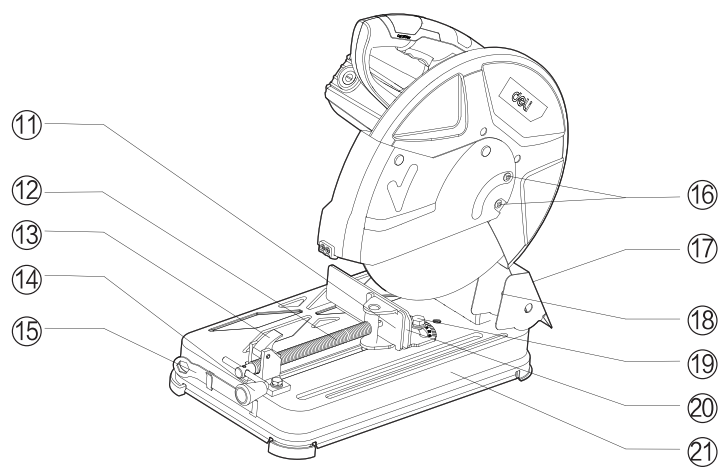
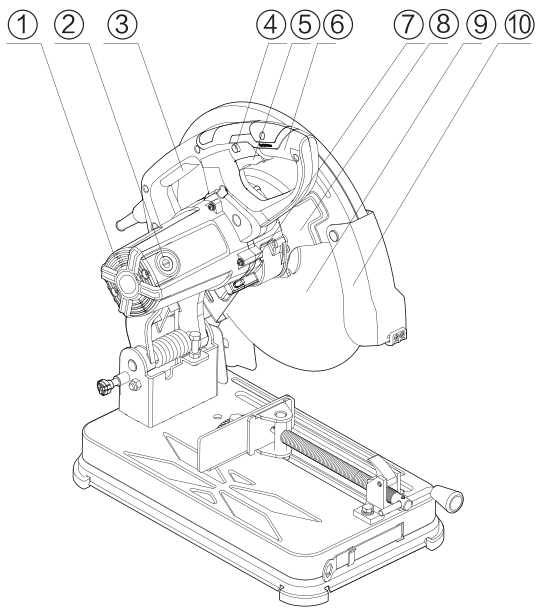
يجوز عمل المواد التي تحتوي على الأسبستوس إلا من قبل المتخصصين.

- استخدم استخراج الغبار كلما أمكن ذلك..

- توفير تهوية جيدة لمكان العمل

- يوصى بارتداء جهاز تنفس من فئة المرشح P2.

مراعاة الأنظمة ذات الصلة في بلدك فيما يتعلق بالمواد التي يتعين استخدامها



تحذير



تنتج أداة الطاقة هذه مجالاً كهرومغناطيسياً أثناء التشغيل. قد يتداخل هذا المجال في بعض الظروف مع أشخاص أجروا عمليات زراعة طبية نشطة أو السلبية. لتقليل مخاطر الإصابة الخطيرة أو المميتة، نوصي الأشخاص الذين أجروا عمليات زراعة طبية باستشارة طبيبهم ومصنع الزراعة الطبية قبل تشغيل أداة ال طاقة هذه.

الاستخدام المقصود

الألة مخصصة للاستخدام الثابت مع أقراص القطع لأداء القطع الطويلة والمقاطع المستقيمة أو قطع القفاز إلى 45 درجة في المواد المعدنية دون استخدام الماء.

ميزات المنتج

الرسمية

1. فتحة تهوية
2. غطاء فرشاة الكربون
3. مقبض
4. مقبض القفل لعمود المفتاح
5. المفتاح المشغل
6. مقبض
7. مقبض القفل للعمود
8. غطاء واقي ثابت
9. قرص التجليخ
10. غطاء واقي متحرك
11. لوحة ربط قطعة العمل
12. ذراع البرغي
13. الاسم
14. مقبض ذراع البرغي
15. مفتاح ربط

16. برغي
17. حافظ النشارة
18. برغي التعديل
19. الترباس
20. حاجز توقف قابل للتعديل
21. القاعدة
22. زر حد الرأس
23. فرشاة الكربون

على سبيل المثال، إذا تم تعطيل عجلة كاشطة أو قرصها بواسطة قطعة العمل، فإن حافة العجلة التي تدخل في نقطة القرصة يمكن أن تحفر في سطح المادة مما يتسبب في تسلق العجلة أو طردها. قد تنكسر العجلات الكاشطة أيضاً في ظل هذه الظروف. الارتداد هي نتيجة لإساءة استخدام أداة الطاقة و/أو إجراءات أو شروط تشغيل غير صحيحة ويمكن تجنبها باتخاذ الاحتياطات المناسبة كما هو موضح أدناه.

1. **حافظ على قبضة قوية على أداة الطاقة وضع جسمك ووزنك للسماح لك بمقاومة قوى الارتداد.** يمكن للمشغل التحكم في قوى الارتداد التصاعدية، إذا تم اتخاذ الاحتياطات المناسبة.
2. **لا تضع جسمك في اتساق مع العجلة الدوارة.** في حالة حدوث ارتداد، فإنها ستدفع وحدة القطع لأعلى نحو المشغل.
3. **لا تعلق سلسلة منشار، وشفرة حفر الخشب، وعجلة ماسية مجزأة بفجوة هامشية أكبر من 10 مم أو شفرة منشار سنننة.** هذه الشفرات تخلق ارتداد متكرر وفقدان السيطرة.
4. **لا «تشويش» العجلة أو الضغط المفرط.** لا تحاول القيام بمقوى مفرط في القطع. يؤدي التشديد المفرط على العجلة إلى زيادة التحميل والقابلية لللف أو ربط العجلة في القطع وإمكانية الارتداد أو كسر العجلة.
5. **عندما تكون العجلة ملزمة أو عند مقاطعة القطع لأي سبب من الأسباب، أغلق أداة الطاقة وأمسك وحدة القطع بدون حراك حتى تتوقف العجلة تماماً.** لا تحاول أبداً إزالة العجلة من القطع أثناء تحرك العجلة وإلا فقد يحدث الارتداد. التحقيق واتخاذ إجراءات تصحيحية للقضاء على سبب ربط العجلة.
6. **لا تعيد تشغيل عملية القطع في العمل.** دع العجلة تصل إلى أقصى سرعة وأعد الدخول بعناية إلى القطع. قد ترتبط العجلة أو تصعد أو ترتد إذا أعيد تشغيل أداة الطاقة في العمل.
7. **قم بدعم أي عمل كبير الحجم لتقليل مخاطر قرص العجلات والارتداد.** تميل قطع العمل الكبيرة إلى التخثر تحت وزنها. يجب وضع الدعامات تحت قطعة العمل بالقرب من خط القطع وبالقرب من حافة العمل على جانبي العجلة.

المخاطر المتبقية

وحتى عندما تستخدم أداة الطاقة على النحو المحدد، لا يمكن إزالة جميع عوامل الخطر المتبقية. قد تنشأ الأخطار فيما يتعلق ببناء وتصميم أداة الطاقة التالية:

1. العيوب الصحية الناتجة عن انبعاث الاهتزازات إذا كانت أداة الطاقة تستخدم على مدى فترة زمنية أطول أو إذا لم تتم إدارتها وصيانتها بشكل مناسب.
2. الإصابات والأضرار التي لحقت بالممتلكات بسبب الملحقات المكسورة التي تحطمت فجأة.

4. تخزين أدوات الطاقة المعطلة بعيداً عن متناول الأطفال ولا تسمح للأشخاص غير المطلعين على أداة الطاقة أو هذه التعليمات بتشغيل أداة الطاقة. أدوات الطاقة خطيرة في أيدي المستخدمين غير المدربين.
5. الحفاظ على الأدوات الكهربائية والملحقات. تحقق من عدم محاذة أو ربط الأجزاء المتحركة، وكسرها وأي حالة أخرى قد تؤثر على تشغيل أداة الطاقة. في حالة التلف، قم بإصلاح أداة الطاقة قبل الاستخدام. تحدث العديد من الحوادث بسبب سوء صيانة الأدوات الكهربائية.
6. حافظ على أدوات القطع حادة ونظيفة. إن الحفاظ على أدوات القطع بحواف قطع حادة يقلل من احتمالية إعاقتها ويسهل التحكم فيها.
7. استخدام أداة الطاقة وملحقاتها وقطع الأدوات وما إلى ذلك وفقاً لهذه التعليمات، مع مراعاة ظروف العمل والعمل الذي يتعين القيام به. قد يؤدي استخدام أداة الطاقة لعمليات مختلفة عن تلك المقصودة إلى التعرض لخطر عند الاستخدام.
8. حافظ على المقابض وأسطح الإمساك جافة ونظيفة وخالية من الزيت والشحوم. لا تسمح المقابض الزلقة وأسطح الإمساك بالمناولة الآمنة للأداة والتحكم فيها في المواقع غير المتوقعة.

الخدمة

1. قم بإصلاح أداة الطاقة الخاصة بك بواسطة شخص إصلاح مؤهل باستخدام قطع غيار متطابقة فقط. يضمن ذلك الحفاظ على سلامة أداة الطاقة.

تحذيرات السلامة الإضافية

تعليمات السلامة للالات المقطوعة

تحذيرات سلامة آلة القطع

1. ضع نفسك والمارة بعيداً عن مستوى العجلة الدوارة. يساعد الحارس في حماية المشغل من شظايا العجلات المكسورة والاصصال العرضي بالعجلة.
2. استخدم فقط العجلات القطع المعززة أو الماسية لأداة الطاقة الخاصة بك. لا يضمن مجرد توصيل ملحق بأداة الطاقة الخاصة بك بالتشغيل الآمن.
3. يجب أن تكون السرعة المصنفة للملحق مساوية على الأقل للسرعة القصوى المحددة على أداة الطاقة. فقد تنكسر الملحقات التي تعمل بشكل أسرع من سرعتها المقدره وتنتظير.
4. يجب استخدام العجلات فقط للتطبيقات الموصى بها. على سبيل المثال: لا تقم بالسحق باستخدام جانب العجلة القطع. إن عجلات القطع الكاشطة مخصصة للسحق الطرقي، وقد تتسبب القوى الجانبية لهذه العجلات في تحطيمها.
5. استخدم دائماً أدراج العجلات غير التالفة ذات القطر الصحيح لعجلتك المختارة. تدعم شفاة العجلات المناسبة العجلة وبالتالي

تقلل من إمكانية كسر العجلة.

6. يجب أن يكون القطر الخارجي وسمك ملحقة ضمن معدل السرعة أداة الطاقة الخاصة بك. لا يمكن حراسة الملحقات ذات الحجم غير الصحيح أو التحكم فيها بشكل كاف.
7. يجب أن يتناسب حجم تعريشة العجلات والفنجان بشكل صحيح مع مغزل أداة الطاقة. ستفقد توازن العجلات والأمواج ذات الثقوب الشجرية التي لا تتطابق مع الأجهزة المتراكبة لأداة الطاقة، وتتهتز بشكل مفرط وقد تتسبب في فقدان السيطرة.
8. لا تستخدم العجلات التالفة. قبل كل استخدام، افحص العجلات بحثاً عن الرقائق والشقوق. إذا تم إسقاط أداة الطاقة أو العجلة، فتنش عن التلف أو ثبت عجلة غير تالفة. بعد فحص العجلة وتركيبها، ضع نفسك والمارة بعيداً عن مستوى العجلة الدوارة وشغل أداة الطاقة بالقصى سرعة محملة لمدة دقيقة واحدة. عادة ما تتفكك العجلات التالفة خلال وقت الاختبار هذا.
9. ارتداء معدات الحماية الشخصية. اعتماداً على التطبيق، استخدم درع الوجه أو نظارات السلامة أو نظارات الأمان. حسب الانقضاء، ارتدي قناع الغبار وأقيات السمع والقفازات وساحة التسوق القادرة على إيقاف شظايا الكشط الصغيرة أو شظايا العمل. يجب أن تكون حماية العين قادرة على وقف الحطام المتطاير الناتج عن العمليات المختلفة. يجب أن يكون قناع الغبار أو جهاز التنفس الصناعي قادراً على ترشيح الجسيمات الناتجة عن العملية. قد يؤدي التعرض المطول للضوضاء عالية الكثافة إلى فقدان السمع.
10. حافظ على المارة على مسافة آمنة بعيداً عن منطقة العمل. يجب على أي شخص يدخل منطقة العمل ارتداء معدات الحماية الشخصية. قد تطير شظايا العمل أو العجلة المكسورة بعيداً وتسبب إصابة خارج منطقة العمل المباشرة.
11. ضع الحبل بعيداً عن ملحق الغزل. إذا فقدت السيطرة، فقد يتم قطع الحبل أو تعطيله وقد يتم سحب يدك أو ذراعك إلى عجلة الدوران.
12. قم بتنظيف فتحات تهوية أداة الطاقة بانتظام. يمكن لمروحة المحرك سحب الغبار داخل السكن وقد يتسبب التراكم المفرط للمعدن المسحوق في مخاطر كهربائية.
13. لا تشغل أداة الطاقة بالقرب من المواد القابلة للاشتعال. لا تشغل أداة الطاقة أثناء وضعها على سطح قابل للاحتراق مثل الخشب. يمكن أن تشعل الشرارات هذه المواد.
14. لا تستخدم الملحقات التي تتطلب مبردات سائلة. قد يؤدي استخدام الماء أو المبردات السائلة الأخرى إلى الصعق بالكهرباء أو الصدمة.

الارتداد والتحذيرات ذات الصلة

الارتداد هي رد فعل مفاجئ لعجلة دوارة مضغوطة أو معطلة. يؤدي الضغط أو التمزق إلى توقف سريع للعجلة الدوارة مما يؤدي بدوره إلى عدم السيطرة يتم دفع وحدة القطع لأعلى نحو المشغل.



تحذير اقرأ جميع تحذيرات السلامة والتعليمات والرسوم التوضيحية والموصفات المرفقة مع أداة الطاقة هذه. قد يؤدي عدم اتباع جميع التعليمات المذكورة أدناه إلى التعرض لصدمة كهربائية و/أو حريق و/أو إصابة خطيرة.

احفظ جميع التحذيرات والتعليمات للرجوع إليها في المستقبل.

يشير مصطلح «أداة الطاقة» في التحذيرات إلى أداة الطاقة (السلكية) التي تعمل بالتيار الكهربائي أو أداة الطاقة (اللاسلكية) التي تعمل بالبطارية.

سلامة منطقة العمل

1. حافظ على منطقة العمل نظيفة ومضاءة بشكل جيد. قد تسبب المناطق المزدحمة أو المظلمة في التعرض للحوادث.
2. لا تشغل أدوات الطاقة في الأجواء المتفجرة، مثل وجود سوائل أو غازات أو غبار قابل للاشتعال. ينتج عن استخدام الأدوات الكهربائية شرارات قد تشعل الغبار أو الأبخرة.
3. أبعد الأطفال والمارة أثناء تشغيل أداة الطاقة. يمكن أن يتسبب التشتت في فقدان السيطرة على الأداة.

السلامة الكهربائية

1. يجب أن تتطابق سدادات أدوات الطاقة مع المنفذ. لا تعدل المقابس بأي شكل من الأشكال، ولا تستخدم أي سدادات محول بأدوات كهربائية أرضية (المرأضة). ستقلل المقابس غير المعدلة ومنفذ المطابقة من خطر الإصابة بالصدمة الكهربائية.
2. تجنب ملامسة الجسم للأسطح الأرضية أو المرأضة، مثل الأنابيب والمشعات والتطاقات والتلجعات. هناك خطر متزايد للإصابة بالصدمة الكهربائية إذا كان جسمك على الأرض أو مَرَأض .
3. لا تعرض الأدوات الكهربائية للأمطار أو الظروف الرطبة. سيؤدي دخول المياه إلى أداة طاقة إلى زيادة خطر حدوث صدمة كهربائية.

4. لا تسمي استخدام الحبل. لا تستخدم الحبل أبداً لحمل أو سحب أو فصل أداة الطاقة. حافظ على الحبل بعيداً عن الحرارة أو الزيت أو الحواف الحادة أو الأجزاء المتحركة. تزيد الحبال التالفة أو المتشابكة من خطر الإصابة بالصدمة الكهربائية.
5. عند تشغيل أداة طاقة في الهواء الطلق، استخدم سلك تمديد مناسب للاستخدام في الهواء الطلق. استخدم سلك مناسب للاستخدام في الهواء الطلق يقلل من خطر التعرض للصدمة الكهربائية.
6. إذا كان تشغيل أداة طاقة في مكان رطب أمراً لا مفر منه، فاستخدم إمدادات محمية من جهاز التيار المتبقي (RCD). استخدام RCD يقلل من خطر التعرض للصدمة الكهربائية.

1. ابق متيقظاً، وشاهد ما تفعله واستخدم الفطرة السليمة عند تشغيل أداة طاقة. لا تستخدم أداة طاقة وأنت متعب أو تحت تأثير المخدرات أو الكحول أو الأدوية. قد تؤدي لحظة عدم الانتباه أثناء تشغيل أدوات الطاقة إلى إصابة شخصية خطيرة.
 2. استخدام معدات الحماية الشخصية. ارتد دائماً واقي العين. ستقلل معدات الحماية مثل قناع الغبار أو أحذية الأمان غير المنزلقة أو القبعة الصلبة أو واقي السمع المستخدمة للظروف المناسبة من الإصابات الشخصية.
 3. منع البدء غير المقصود. تأكد من أن المفتاح في وضع إيقاف التشغيل قبل الاتصال بمصدر الطاقة و/أو حزمة البطارية، أو التقاط الأداة أو حملها. أحمل أدوات الطاقة وإصبعك على المفتاح أو قد يتسبب إمداد أدوات الطاقة بالطاقة التي يكون فيها المفتاح في وضع التشغيل في التعرض للحوادث.
 4. قم بإزالة أي مفتاح ضبط أو مفتاح قبل تشغيل أداة الطاقة. قد يؤدي مفتاح أو مفتاح متصل بجزء دوار من أداة الطاقة إلى إصابة شخصية.
 5. لا تتجاوز الحدود. ثبت قدمك وحافظ على توازنك في جميع الأوقات.
- وهذا يتيح التحكم بشكل أفضل في أداة الطاقة في المواقف غير المتوقعة.
6. ارتد ملابسك بشكل صحيح. لا ترتدي ملابس أو مجوهرات فضفاضة. حافظ على شعرك وملابسك بعيداً عن الأجزاء المتحركة. يمكن تعلق الملابس الفضفاضة أو المجوهرات أو الشعر الطويل في الأجزاء المتحركة.
 7. إذا تم توفير أجهزة لتوصيل مرافق استخراج الغبار وجمعه، فتأكد من توصيلها واستخدامها بشكل صحيح. يمكن أن يؤدي استخدام جمع الغبار إلى تقليل المخاطر المرتبطة بالغبار.
 8. لا تدع الألفة المكتسبة من الاستخدام المتكرر للأدوات تسمح لك بالرضا عن النفس وتجاهل مبادئ سلامة الأدوات. يمكن أن يتسبب الإهمال في إصابة خطيرة في غضون جزء من الثانية.

استخدام أداة الطاقة والرعاية

1. لا تفرط في استخدام أداة الطاقة. استخدم أداة الطاقة الصحيحة لتطبيقك. إذ تؤدي أداة الطاقة الصحيحة المهمة بشكل أفضل وأكثر أمناً بالمعدل الذي تم تصميمها من أجله.
2. لا تستخدم أداة الطاقة إذا لم يتم تشغيل المفتاح وإيقافه. أي أداة طاقة لا يمكن التحكم فيها باستخدام المفتاح تعد خطيرة ويجب إصلاحها.
3. قم بفصل المقابس عن مصدر الطاقة و/أو قم بإزالة حزمة البطارية، إذا كانت قابلة للفصل، من أداة الطاقة قبل إجراء أي تعديلات أو تغيير الملحقات أو تخزين أدوات الطاقة. تقلل تدابير السلامة الوقائية هذه من خطر بدء استخدام أداة الطاقة عن طريق الخطأ.

DE-XQ355-1E	مدخلات الطاقة المصنفة
2400W	رقم المادة
220-240V~	الجهد المصنف
50/60Hz	التردد
4000/min	سرعة عدم التحميل
±45°	روتاتينج انجل
15.5kg	الوزن

ملحق

• مفتاح فرشاة الكربون • القطع • قرص
يرجى ملاحظة رقم المقالة على لوحة نوع جهازك. قد تختلف الأسماء التجارية للالات الفردية.

أبعاد أقراص القطع المناسبة

355mm(14")	قطر قرص القطع
3.5mm(1/8")	سمك القرص القطع
25.4mm(1")	قطر ثقب التثبيت

التعليمات الأصلية

الرموز في دليل التعليمات والملصق على الأداة

اقرأ دليل التعليمات قبل الاستخدام.	
ارتد نظارات الأمان وواقي الأذن وقناع الغبار.	
لا ينبغي التخلص من نفايات المنتجات الكهربائية مع النفايات المنزلية. يرجى إعادة التدوير حيث توجد المرافق. راجع السلطة المحلية أو بائع التجزئة للحصول على نصائح إعادة التدوير.	
تنبيه السلامة. يرجى استخدام الملحقات التي تدعمها الشركة المصنعة فقط.	
ارتد قفازات واقية. شفرات القطع حادة جدًا ويمكن أن تصبح ساخنة جدًا أثناء التشغيل.	

